

# User Guide

# ≡ 用户使用手册 ≡

中文P34

**⚠ WARNING  
注意事项**

- 
1. Please refer to this Guide for initial printer setup.
  2. Hot! Avoid touching the heating nozzle in operation.
  3. Moving parts in the printer may cause injuries. Do not wear gloves or other sources of entanglement in operation.
1. 请参照本指南完成打印机的初始准备。
  2. 高温危险！打印机喷嘴在工作时会被加热，操作时请避免接触！
  3. 可动部件可能会造成卷入挤压和切割伤害。操作机器时请不要佩戴手套或缠绕物。
- 

**⚠ Safety Notice  
安全提示**

---

Do not power on the printer until installation is completed.  
请勿在打印机安装完成之前通电。

---



For more information, you can visit the Flashforge official website.  
[www.flashforge.com](http://www.flashforge.com) - [Support]

# CONTENTS

<b>Notice</b>	<b>02</b>
<b>1. Equipment Introduction</b>	<b>04</b>
1.1 - Printer Components	04
1.2 - Printer Parameters	05
<b>2. Initial Setup</b>	<b>06</b>
2.1 - Unboxing	06
2.2 - Packing List	08
2.3 - Installing the Spool Holder	09
2.4 - Unlocking the Build Plate	10
2.5 - First Print	11
<b>3. Software Introduction &amp; Installation</b>	<b>14</b>
<b>4. Printing</b>	<b>19</b>
4.1 - Filament Loading and Changing	19
4.1.1 - Filament Loading	19
4.1.2 - Filament Changing	19
4.2 - Network Connection	22
4.2.1 - Wireless Network Connection	22
4.2.2 - Wired Network Connection	22
4.3 - Printing Methods	23
4.3.1 - Printing via USB	23
4.3.2 - Printing via Wi-Fi transfer	23
4.3.3 - Printing via Cloud	24
4.4 - Camera Connection	26
4.5 - Model Removal After Printing	27
<b>5. Introduction to Auxiliary Functions</b>	<b>27</b>
5.1 - Leveling and Calibration	27
5.2 - Air Filtration	28
5.3 - Other Function Settings	28
<b>6. Maintenance</b>	<b>29</b>
6.1 - Suggestions on Platform Plate Usage	29
6.2 - Suggestions on Nozzle Usage	29
6.3 - General Maintenance	29
<b>7. Q&amp;A</b>	<b>30</b>
<b>8. Help and Support</b>	<b>33</b>

# NOTICE

## **SAFETY NOTICE: PLEASE CAREFULLY READ AND STRICTLY FOLLOW ALL THE SAFETY WARNINGS AND NOTICES BELOW ALL THE TIME.**

Note: Each 3D printer undergoes printing tests before leaving the factory. Filament residue on the nozzle or slight scratches on the build plate are normal and do not affect usage.

### **WORK ENVIRONMENT SAFETY**

- ◆ Please keep the workspace clean and tidy.
- ◆ Please ensure the equipment operates away from combustible gases, liquids, and dust. High temperatures generated during operation may react with combustible gases, liquids, or airborne dust, potentially causing fires.
- ◆ Children and untrained individuals should not operate the equipment alone.

### **ELECTRICAL SAFETY**

- ◆ Please properly ground the equipment. Do not modify the plug. Ungrounded equipment/improperly grounded equipment/modified plug will inevitably increase the risk of electric leakage.
- ◆ Avoid exposing the equipment to damp or direct sunlight environments. Humidity will increase the risk of electric leakage. Exposure to sunlight will accelerate the aging of plastic parts.
- ◆ Make sure to only use the power cord provided by Flashforge.
- ◆ Do not use the equipment during thunderstorms.
- ◆ Please turn off the equipment and unplug it if it is not in use for a long time.

### **PERSONAL SAFETY**

- ◆ Do not touch the extruder, build plate, etc., during printing.
- ◆ Do not touch the extruder and build plate after finishing printing to avoid high temperature burns or mechanical damage.
- ◆ Do not wear scarves, masks, gloves, jewelry, or other objects that can easily get tangled into the equipment while operating it.
- ◆ Do not operate the equipment while you are tired or under the influence of drugs, alcohol or medication.

### **CAUTIONS**

- ◆ Keep the inside of the equipment clean. Do not drop metal objects into the grooves at the bottom of the build plate.
- ◆ Please clean up filament debris in time. It is recommended to operate this outside the equipment.
- ◆ Any modification of the equipment by yourself will void the warranty.
- ◆ Please keep the distance between the extruder and build plate for at least 50mm during filament loading. Too-close distance may cause nozzle clogs.
- ◆ Please operate the equipment in a well-ventilated environment.
- ◆ Do not use the equipment for illegal activities.
- ◆ Do not use the equipment to make food storage containers.
- ◆ Do not place printed models into your mouth.

## EQUIPMENT ENVIRONMENT REQUIREMENTS

- ◆ Room temperature: 15-30°C; Humidity: 20-70RH%

## EQUIPMENT PLACEMENT REQUIREMENTS

- ◆ The equipment must be placed in a dry and well-ventilated environment. A distance of at least 35cm must be reserved around the front, back, left and right sides of the equipment. Recommended storage temperature: 0-40°C

## COMPATIBLE FILAMENT REQUIREMENTS

- ◆ When using this equipment, it's recommended to use Flashforge's filaments. If non-Flashforge filaments are used, there will be certain differences in material properties, and print parameters may need adjustments.

## FILAMENT STORAGE REQUIREMENTS

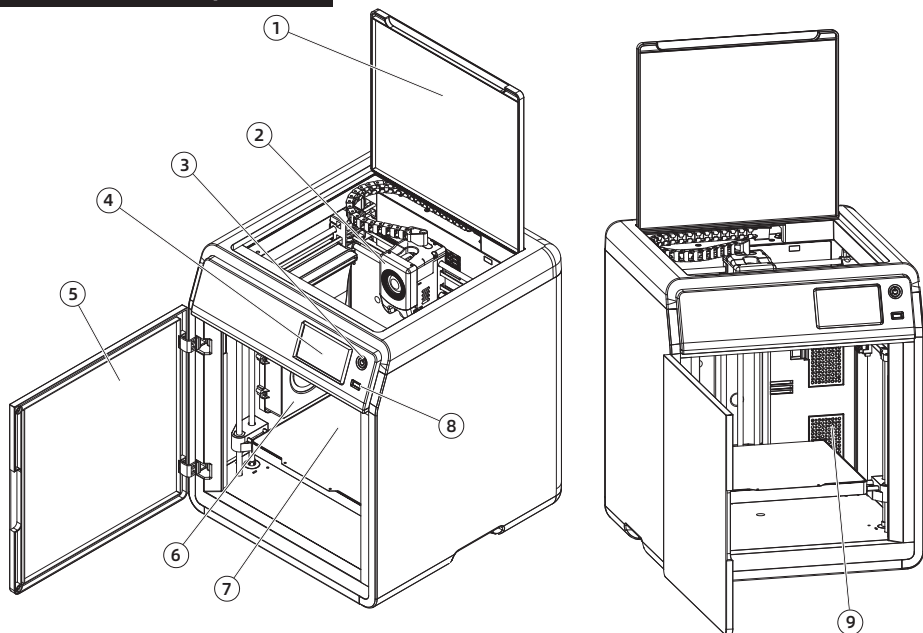
- ◆ Please store filaments in a dry and dust-free environment after unpacking. It is recommended to use the matching filament dry box for storage.

## LEGAL STATEMENT

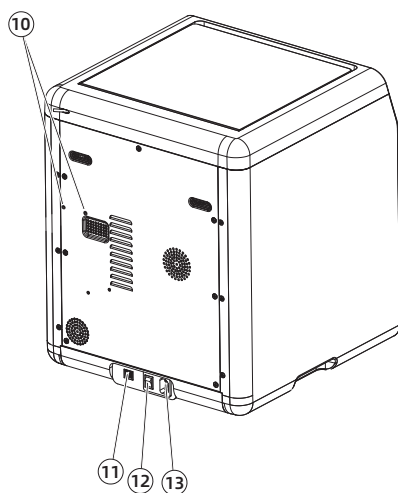
- ◆ Users are not authorized to make any modifications to this User Guide.
- ◆ Flashforge shall not be held responsible for any safety incidents resulting from the disassembly or modification of the equipment by the customer. No one is allowed to modify or translate this Guide without Flashforge's permission. This Guide is protected by copyright, and Flashforge reserves the right of the final interpretation of this Guide.
- ◆ First Edition (September 2023)  
Copyright © 2023 Zhejiang Flashforge 3D Technology Co., Ltd. All Rights Reserved.

# 1. Equipment Introduction

## 1.1 Printer Components



1. Top Cover
2. Extruder
3. Switch Button
4. Touch Screen
5. Front Door
6. Auxiliary Cooling Fan
7. Build Plate
8. USB Port
9. Air Filter
10. Screw Holes for Spool Holder
11. Ethernet Input
12. Power Switch
13. Power Socket



## 1.2 Printer Parameters

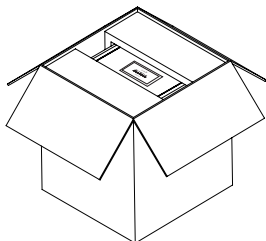
Machine Name	Adventurer 5M Pro
Extruder Quantity	1
Printing Precision	±0.2mm [testing based on 100mm cubes]
Positioning Accuracy	X/Y-axis: 0.0125mm; Z-axis: 0.0025mm
Layer Thickness	0.1-0.4mm
Build Volume	220 x 220 x 220mm
Nozzle Diameter	0.4mm [default]; 0.6/0.8/0.25mm [optional]
Printing Speed	10-300mm/s
Max. Acceleration	20000mm/s <sup>2</sup>
Max. Travel Speed	600mm/s
Max. Extruder Temperature	280°C
Supported Filament	*PLA/*PETG [0.4mm nozzle] ASA/ABS *TPU/PLA-CF/PETG-CF [0.6/0.8mm nozzle] Note: Materials marked with * are recommended for printing.
Power Supply	Input: AC 100~240V, 50/60Hz, 350W
Device Size	380 x 400 x 453mm [excluding the spool holder]
Net Weight	14.6kg
Connectivity	USB/Wi-Fi/Ethernet
Operating Temperature	15-30°C
Compatible Operating System	Windows 7/8/10/11; Linux: Support version Ubuntu 20.04 or later; Mac OS: Support version 10.9 or later.
Compatible Slicing Software	FlashPrint 5 / Orca / Prusa / Cura
Max. Platform Temperature	110°C
Leveling Method	One-click auto leveling
Filament Run-out Reminder	√
Power Loss Recovery	√
Smart Touch Screen	4.3-inch
Remote Video Monitoring	√
Time-lapse Video	√
Air Filtration	Internal circulation + external circulation [HEPA + activated carbon]
Build Plate	PEI flexible steel plate
Automatic Shutdown	√

## 2. Initial Setup

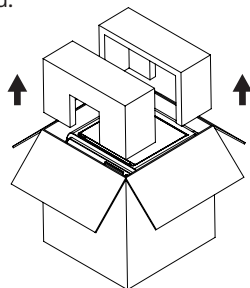
### 2.1 Unboxing

Safety Notice: Do not power on the printer until installation is completed.

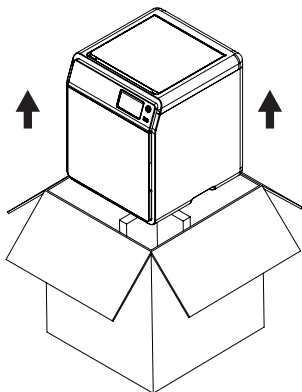
1. Open the box.



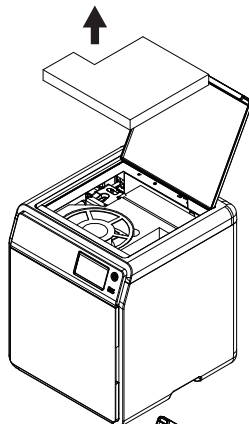
2. Remove the upper foam packaging, Quick Start Guide and After-sales Service Card.



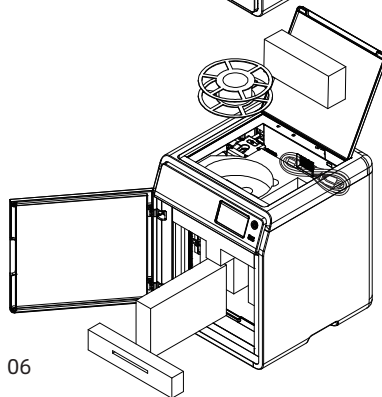
3. Take out the machine, place it on a level workspace and remove the packaging bags and tapes.



4. Open the top cover and remove the upper protective foam.

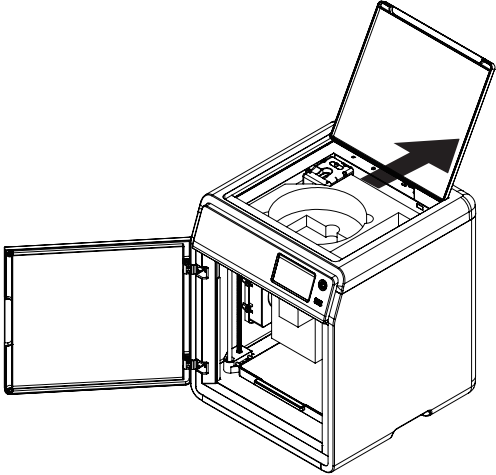


5. Remove the filament and power cable from the chamber protective foam. Remove the inner protective foam of the extruder. Open the front door, and remove the front protective foam and accessory box.

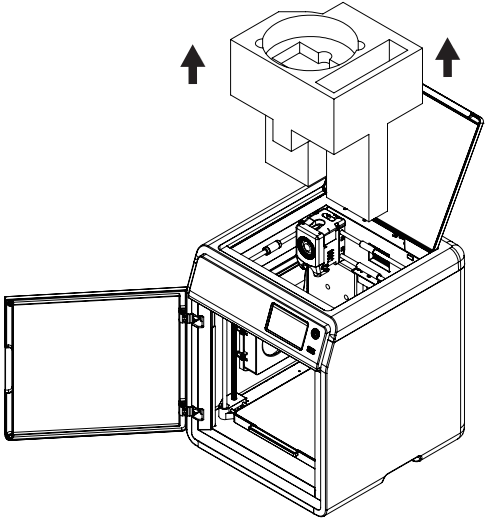




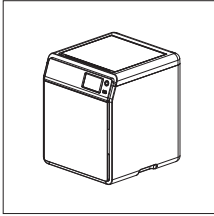
6. Move the chamber foam according to the arrow direction.



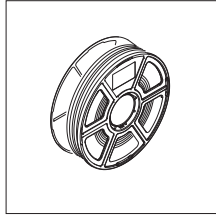
7. Remove the foam.



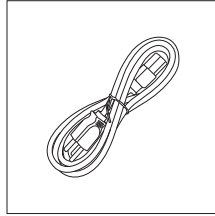
## 2.2 Packing List



3D Printer



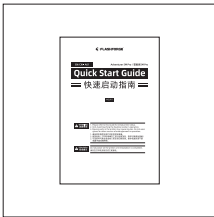
Filament



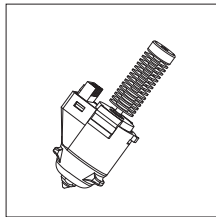
Power Cable



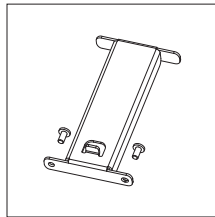
After-sales Service Card



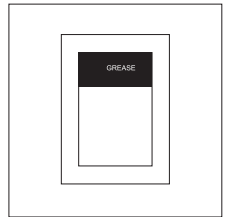
Quick Start Guide



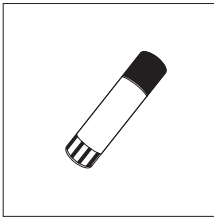
0.6mm Nozzle



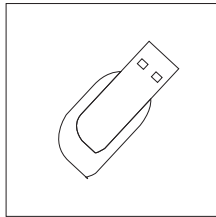
Spool Holder  
(with 2 screws)



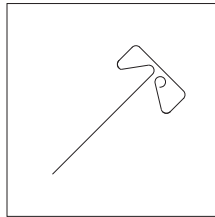
Grease



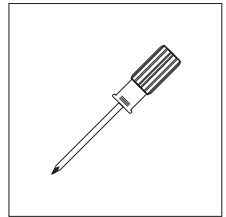
Glue



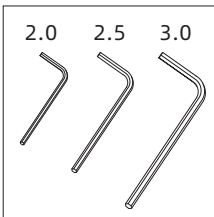
USB Disk



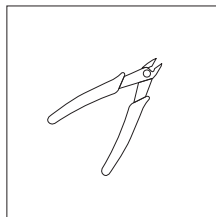
Unclotting Pin Tool



Screwdriver



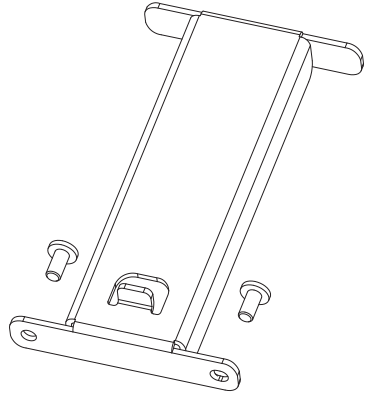
Allen Wrench



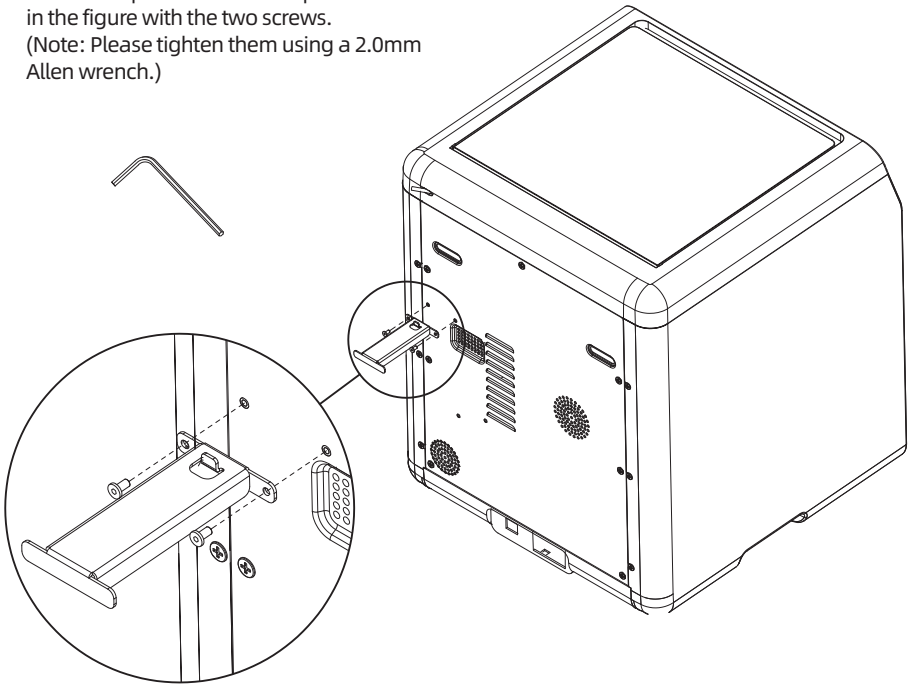
Diagonal Pliers

## 2.3 Installing the Spool Holder

1. Take out the two screws and spool holder from the accessory box.



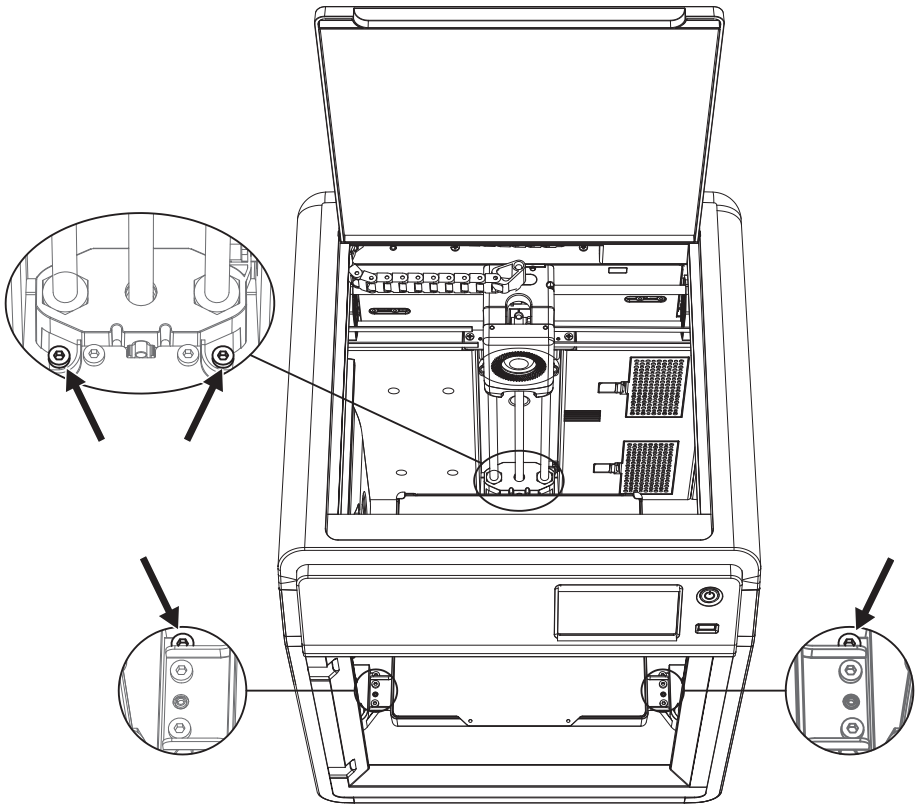
2. Install the spool holder at the position shown in the figure with the two screws.  
(Note: Please tighten them using a 2.0mm Allen wrench.)



## 2.4 Unlocking the Build Plate

**Note** Please ensure the platform has been cleared up!

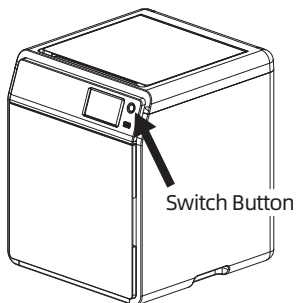
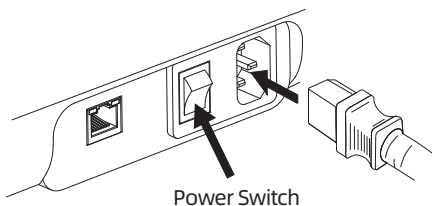
Please use a 2.0mm Allen wrench to remove four screws which lock the build plate (as indicated by the arrow).



## 2.5 First Print

\* The interface layout may change whenever there is an upgrade of firmware.

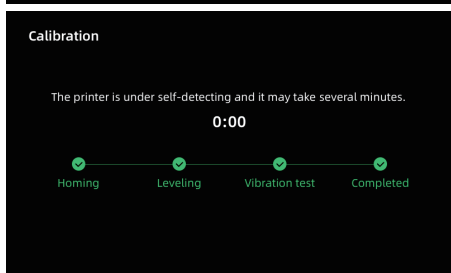
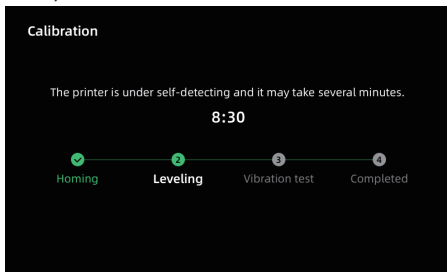
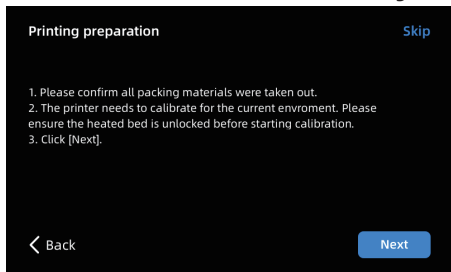
1. Connect the power, turn on the power switch, and press the switch button to turn on the screen.



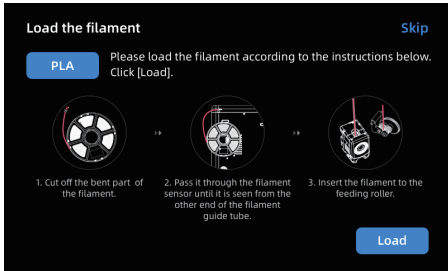
2. Following the guide on the screen, select the language.



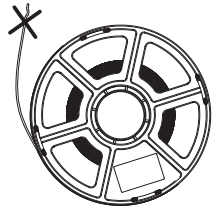
3. Click [Next] according to screen prompts and the machine will perform the first calibration. Vibrations and noise during calibration are normal. (Note: Please keep the machine on a stable surface and do not move it during calibration.)



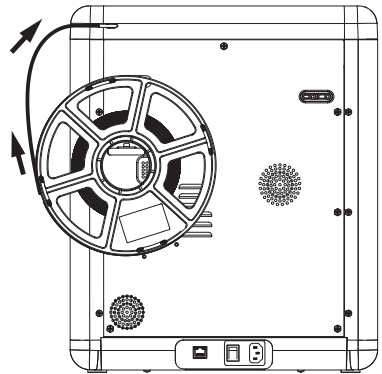
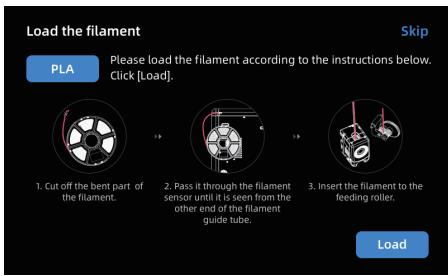
4. Load filament following the on-screen startup boot:



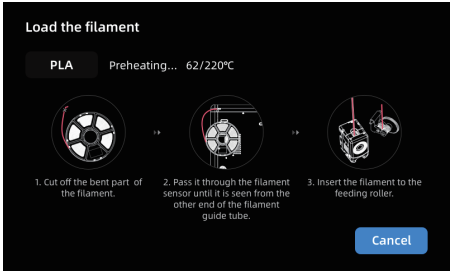
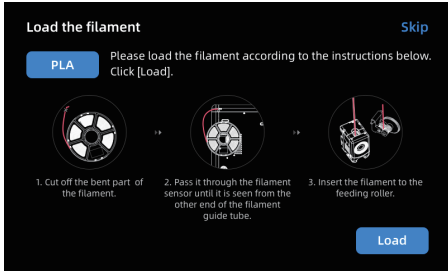
a. Cut off the bent part of the filament end.



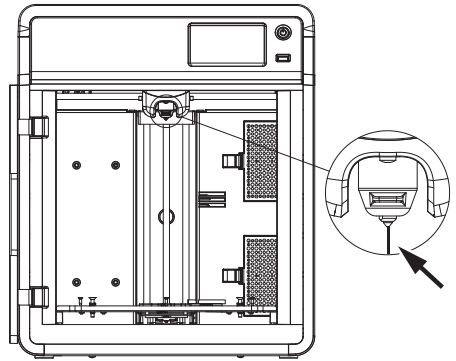
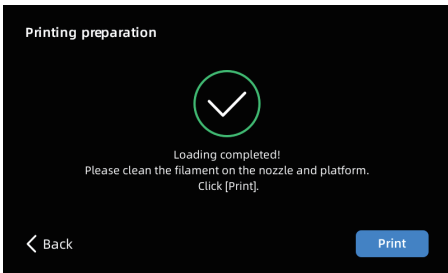
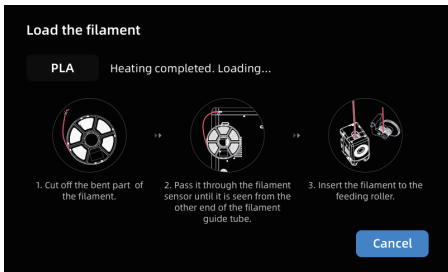
b. Hang the filament on the spool holder. Pass it through the filament sensor until it's seen from the other end of the filament guide tube. Push it forward to the feed roller, until it can not go further. (\*Please use PLA filament for the first print on initial setup).



C1. Click [Load] and select [PLA] for the first print. C2. Wait for the extruder to heat up.

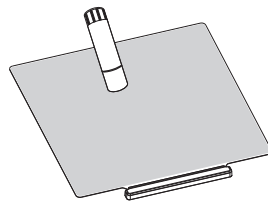


C3. Feeding will begin after heating. Successful filament extrusion from the nozzle indicates successful loading. Lastly, confirm the filament guide tube is properly inserted.

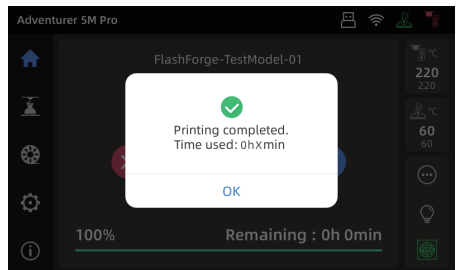


**Note** If no filament is extruded, manually insert the filament into the inlet and click **[Back]** to retry. Feel for filament movement until it is extruded.

5. Please clear the filament residues on the nozzle and platform. Users must apply glue to the platform so as to improve adhesion for the first print.



6. Click **[Print]** and the machine starts printing the built-in file (configured for PLA material).



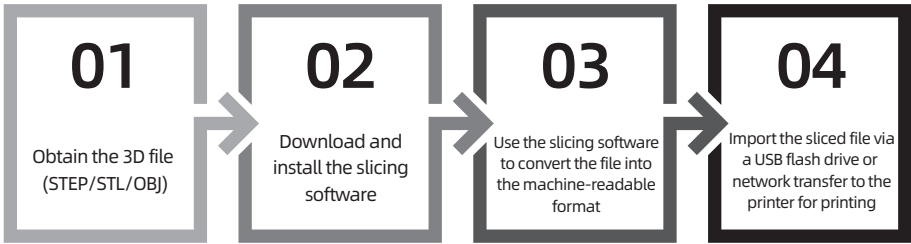
# 3. Software Introduction & Installation

## Slicing Software Instructions for Adventurer 5M Series

**Note** Before reading the brief instructions, please ensure you have reviewed the Quick Start Guide and completed the first print.

Before printing 3D model files, you need to configure slicing presets for the corresponding printer. Recommended slicing software: **OrcaSlicer / FlashPrint 5**

Pre-printing Steps:



### Open-source Slicing Software **OrcaSlicer**

This slicing software, created by the open-source community, offers more open configuration options. Experienced users are recommended to use this slicing software.

#### Download and Installation Instructions

1. Download the latest slicing software from the official website:  
<https://github.com/SoftFever/OrcaSlicer/releases>.
2. Find the OrcaSlicer software package on the USB flash drive and install the version that matches your system.

**Note**

Files can be imported by project, requiring a click on the project file each time you open it. Alternatively, configs can be imported, eliminating the need to do so each time, but this may not be compatible with higher software versions.



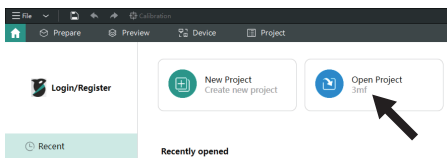
## How to Use OrcaSlicer (Import Project Files)

\* The steps are illustrated for one machine type.

1. Open the installed OrcaSlicer.

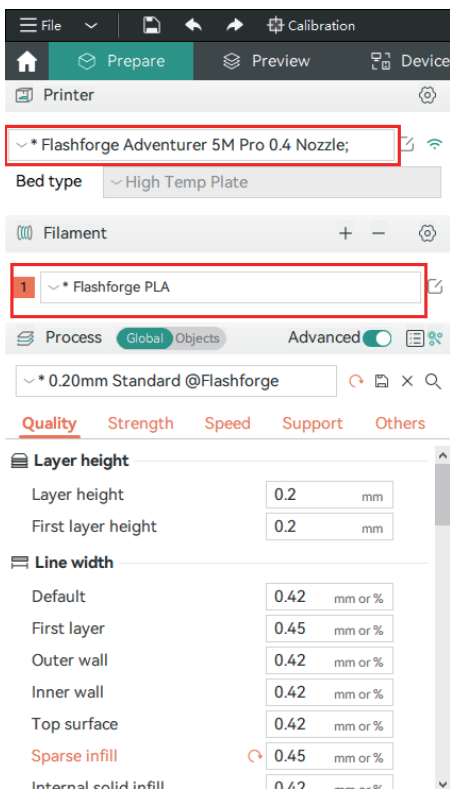


2. Click [Open Project].

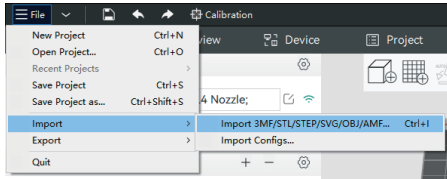


3. The profile should be in .3mf format. You can find the corresponding file on the USB flash drive. Drag it directly into OrcaSlicer, or open it directly (if the machine is not configured with a USB flash drive, please download the corresponding profile from Flashforge's official website).

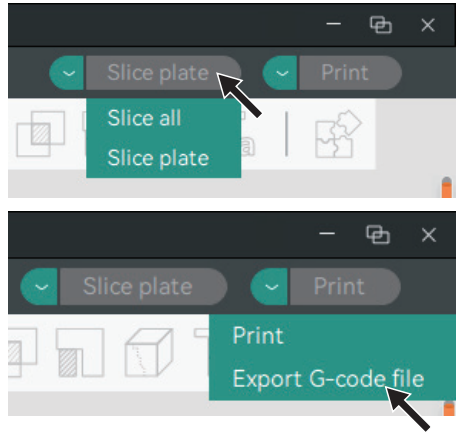
4. After importing the profile, the software interface will display the corresponding printer, and you can select the desired printing material.



5. Select the model file to be printed. You can drag it directly into the software, or click [File] - [Import] to import the model file (STL/STEP/OBJ/3MF, etc.).



6. Click [Slice all]. Once slicing is completed, click [Export G-code file], save the file to a USB flash drive, and then insert it into the printer for printing.



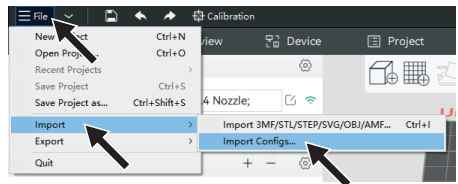
## How to Use OrcaSlicer (Import Configs)

\* The steps are illustrated for one machine type.

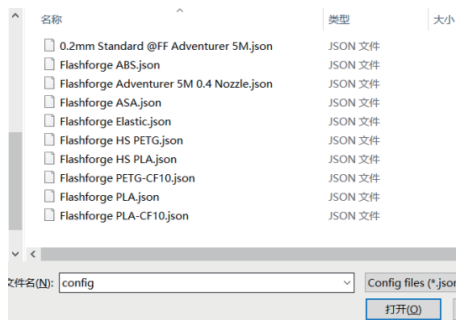
1. Open the installed OrcaSlicer.



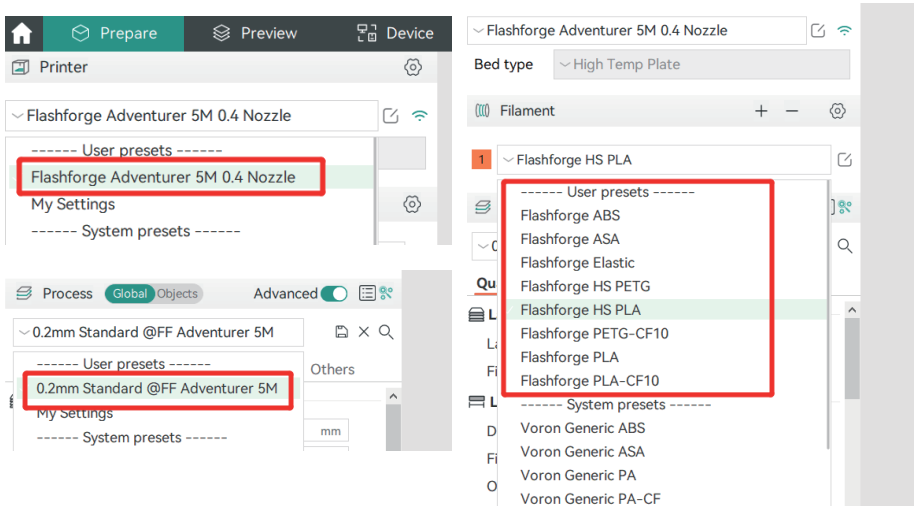
2. Click [File] - [Import] - [Import Configs...].



3. The config file should be in .json format. You can find the corresponding files on the USB flash drive, select all, and open it (if the machine is not configured with a USB flash drive, please download the corresponding config files from Flashforge's official website).

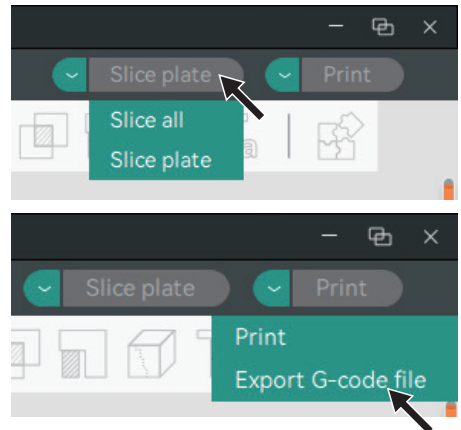


4. After importing, the corresponding printer, available filaments, and recommended parameters will be displayed.



5. Select the model file to be printed. You can drag it directly into the software, or click **[File]** - **[Import]** to import the model file (STL/STEP/OBJ/3MF, etc.).

6. Click **[Slice all]**. Once slicing is completed, click **[Export G-code file]**, save the file to a USB flash drive, and then insert it into the printer for printing.



## Flashforge's Official Slicing Software - FlashPrint 5

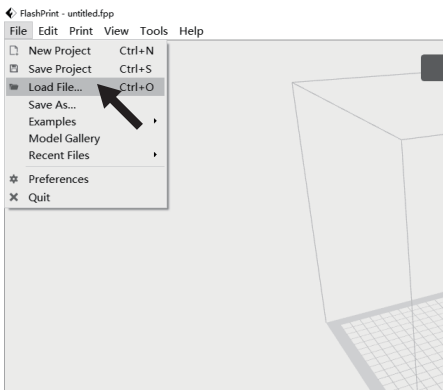
\* The steps are illustrated for one machine type.

FlashPrint 5 is not open-source. It is user-friendly and suitable for users with no 3D printing experience or those who don't require parameter adjustments.

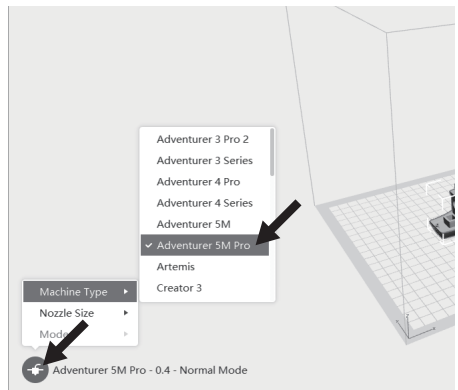
### Download Instructions

1. Download the latest slicing software from the official website:  
<https://www.flashforge.com/download-center>.
2. Find the FlashPrint 5 software package on the USB flash drive and install the version that matches your system.

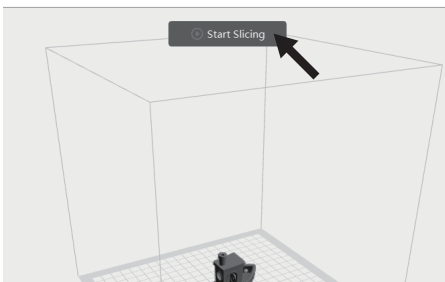
1. After installing the slicing software, import the model file.



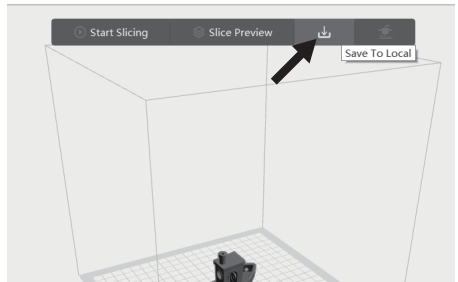
2. Select the corresponding printer type.



3. Click [Start Slicing].



4. After slicing is completed, save the file to a USB flash drive for printing.



### Note

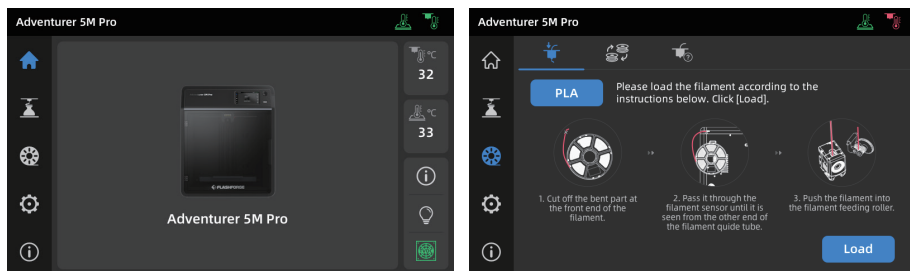
The slicing profiles available in FlashPrint 5 are configured based on extensive testing with various types of filaments. We recommend using the recommended temperature settings provided in the profiles. If you believe a specific filament requires a different temperature, you can make minor adjustments and print smaller objects at the set temperature for testing to ensure smooth operation.

# 4. Printing

## 4.1 Filament Loading and Changing

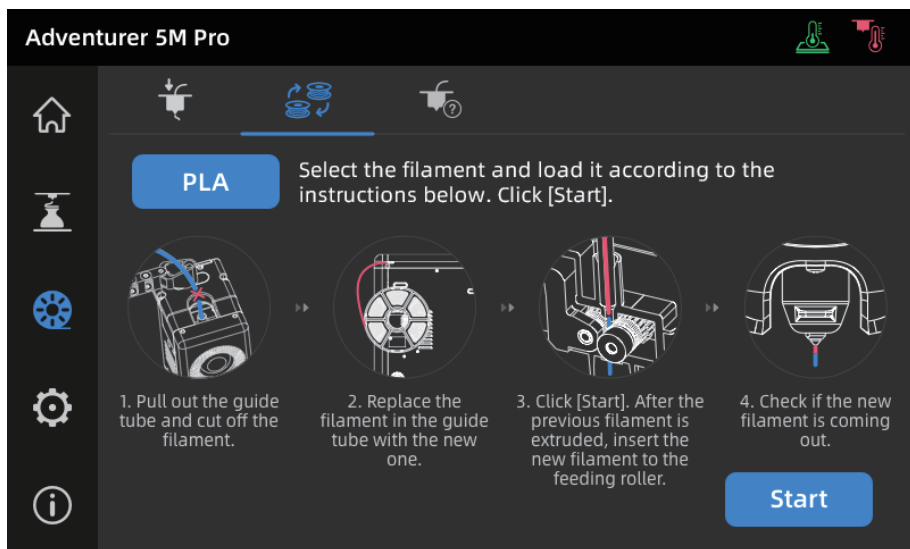
### 4.1.1 Filament Loading

Click [  ] to enter the filament loading interface and follow on-screen instructions to complete filament loading.

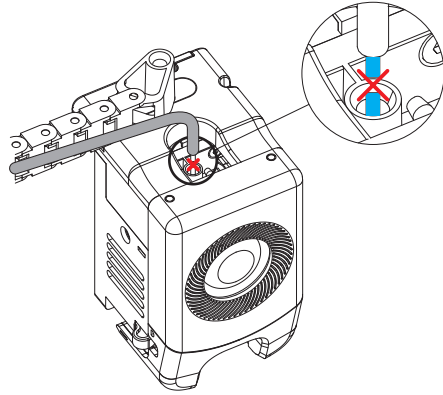


### 4.1.2 Filament Changing

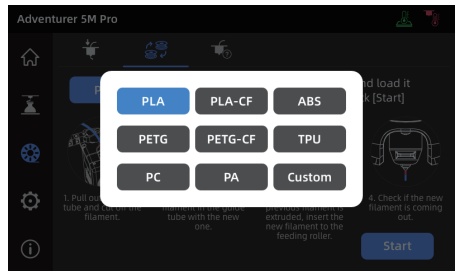
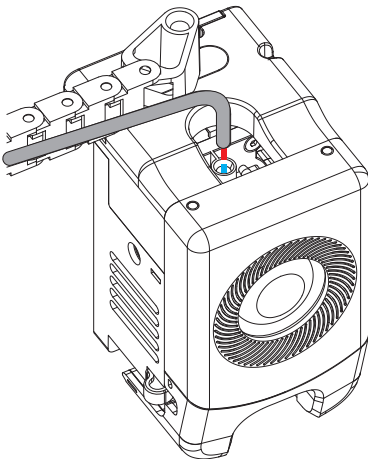
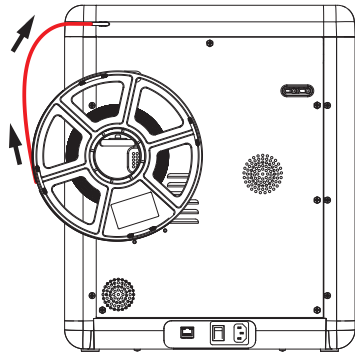
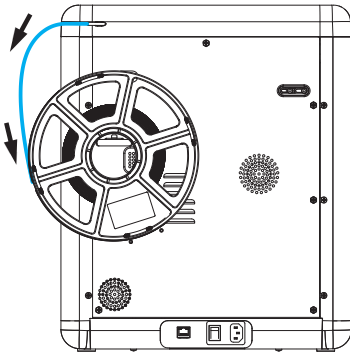
1. Click [  ] - [  ], and follow on-screen instructions to complete filament changing.



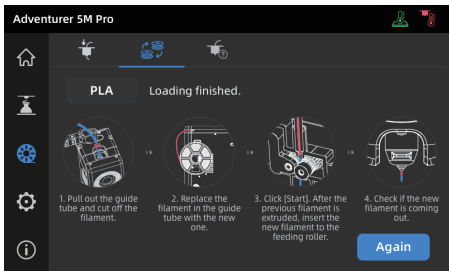
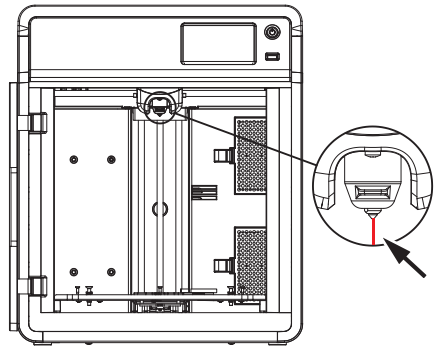
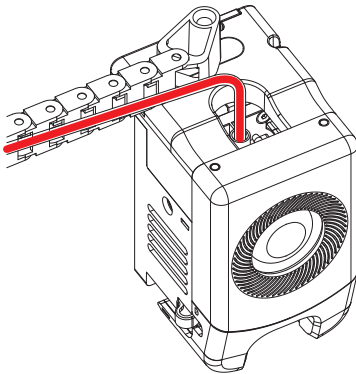
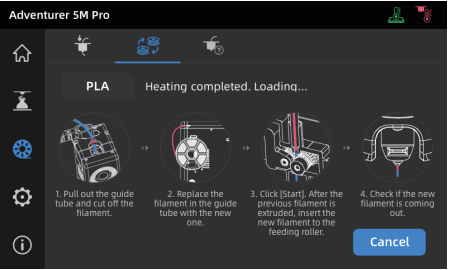
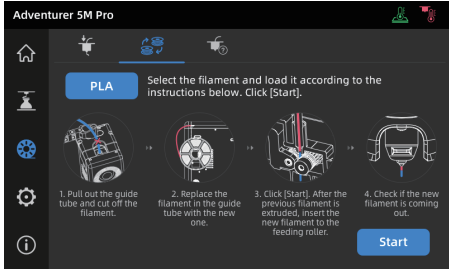
2. Pull out the filament guide tube as shown, and cut the filament.



3. Pull out the cut filament, and insert the new filament into the filament guide tube. If the material type is changed, click [PLA] to select the corresponding material type.



4. Click [Start], wait for the extruder to heat up and filament feeding will begin. When you see the previous filament is extruded, insert the new filament and observe its flow and the extrusion. If the new filament smoothly comes out of the nozzle, the filament change is successful. If not, hold the filament by hand, insert it into the inlet, and click [Again] to retry. Feel for filament movement until it is extruded. After successful loading, insert the filament guide tube into the inlet.

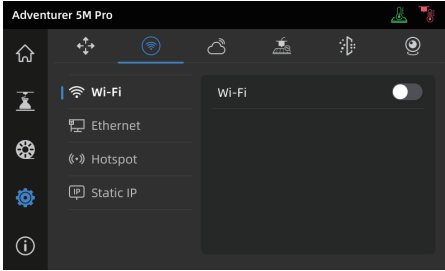


**Note**

1. If the previous filament roll is completely used up and there is no filament in the guide tube, you can proceed with the loading process directly.
2. When changing filament, try to clear out the old filament using the new filament.
3. You can click [?] to view the nozzle usage guide on the screen.

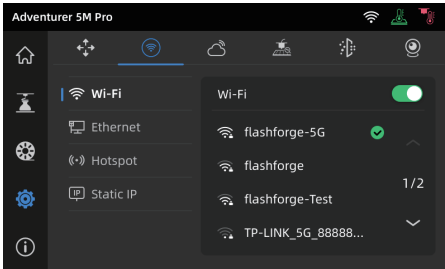
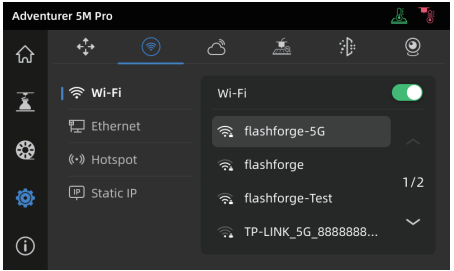
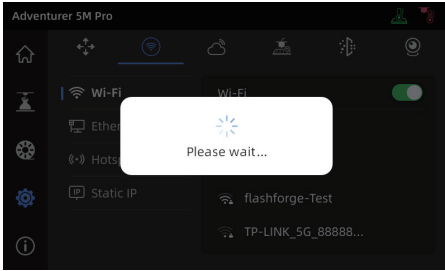
## 4.2 Network Connection

Click [🔧] - [📶] to enter the network connection interface.



### 4.2.1 Wireless Network Connection

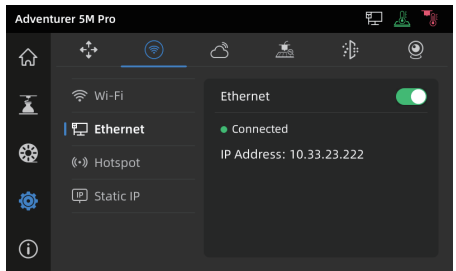
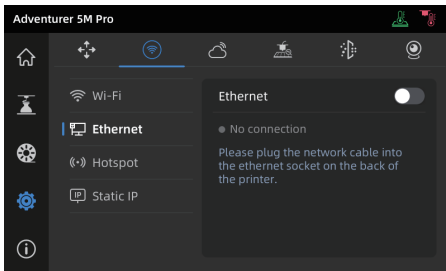
Turn on the Wi-Fi switch, and tap to connect to the corresponding wireless network. Once connected successfully, the network will be marked, and an [📶] icon will appear at the top right corner of the screen.



### 4.2.2 Wired Network Connection

1. Select [Ethernet] and plug the network cable into the Ethernet port on the back of the printer following on-screen instructions.
2. Once connected successfully, it will display as [Connected], and an [🖨️] icon will appear at the top right corner of the screen.

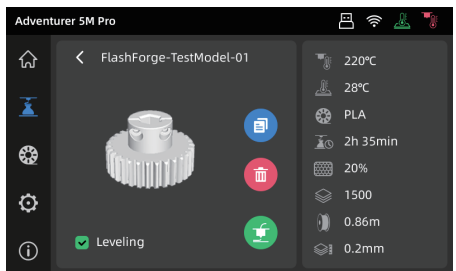
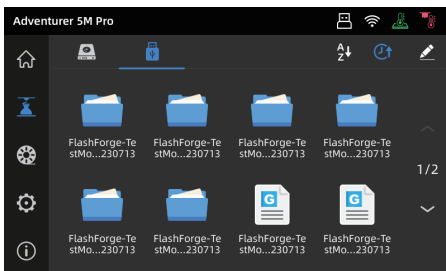




## 4.3 Printing Methods

### 4.3.1 Printing via USB

The printer supports printing via USB. Save the sliced file to a USB flash drive, insert it into the printer, and select the corresponding file to start printing.



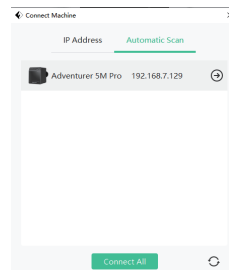
### 4.3.2 Printing via Wi-Fi transfer

After successfully connecting the printer to the network, open FlashPrint 5. After finishing slicing, click [Print] in the menu and select the Adventurer 5M Pro as the machine to connect to. You can connect it to the printer by entering the IP address or by automatic scanning.

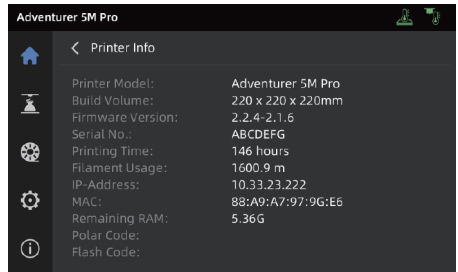
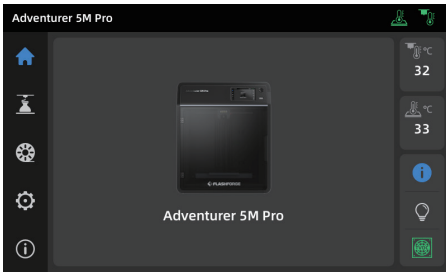
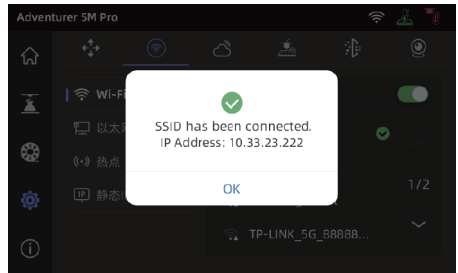
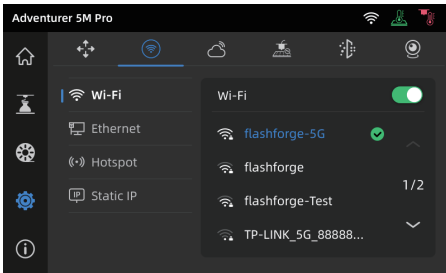


**Note**

The printer and the computer must be connected to the same network.



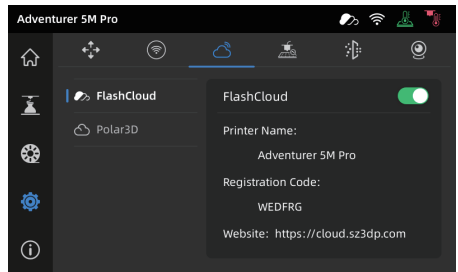
The IP address can be viewed by long-pressing the connected network or in the Printer Info interface by clicking [ Home ] - [ Info ].



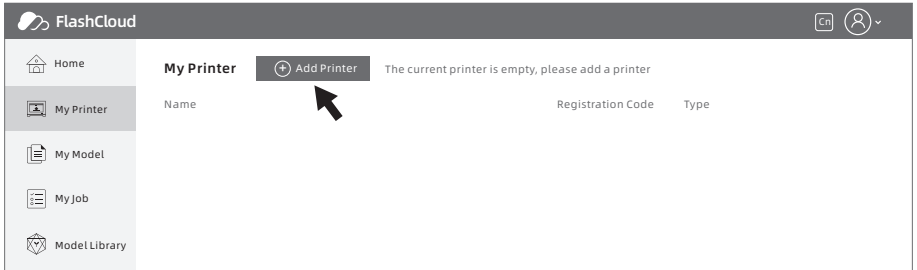
### 4.3.3 Printing via Cloud

#### Printing via FlashCloud

1. Click [ Gear ] - [ Cloud ], turn on the FlashCloud switch, and view the registration code.



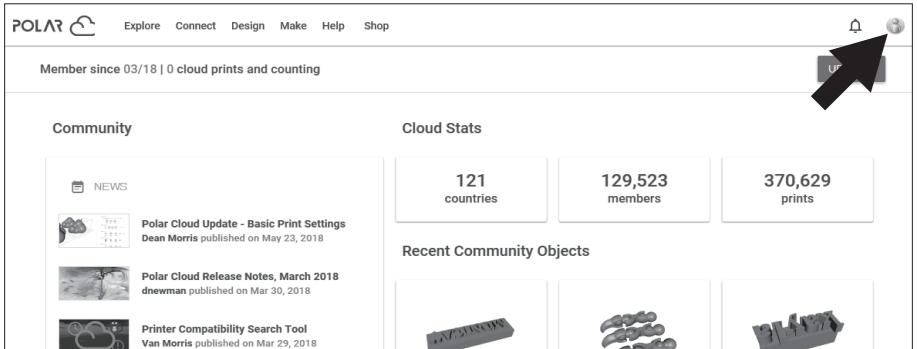
2. Open the FlashCloud website and register an account. After email activation, you can log in and use. **FlashCloud:** <https://cloud.sz3dp.com/>
3. Click [ My Printer ] - [ Add Printer ]. On the Add Printer page, enter the registration code (cloud registration code) and name the printer. After clicking [ OK ], the information will appear on the printer's FlashCloud interface.



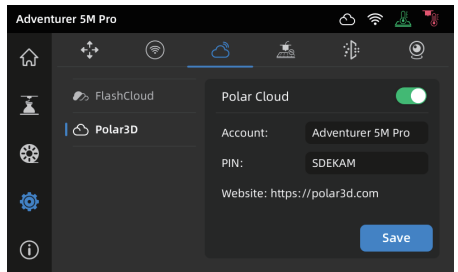
**Printing via Polar Cloud** Open the Polar Cloud website and register an account.  
**Polar Cloud:** <https://polar3d.com>

Note: Polar Cloud service may not be available outside the United States.

After logging in, click the icon at the top right corner, click [Settings], and click [PIN Code] in the menu to find the PIN code.

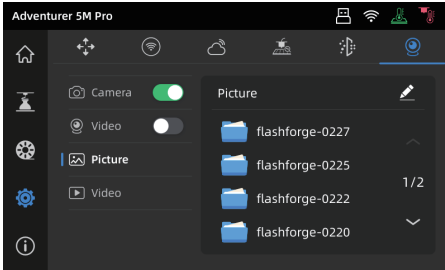


After connecting the Adventurer 5M Pro to the network, simply turn on the Polar Cloud switch and enter your account and PIN code.

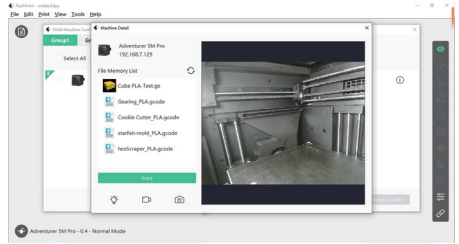


## 4.4 Camera Connection

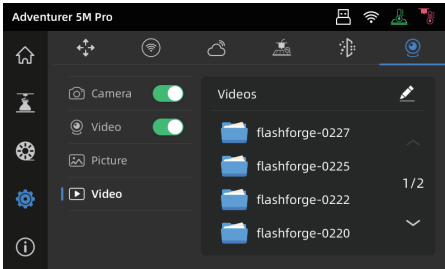
1. Click [🔧] - [📷] to turn on the camera switch.



2. After the printer is connected to FlashPrint 5, you can view real-time images via FlashPrint 5 - [Multi-Machine Control].



3. Turn on the video switch, and video files will be generated after the model is printed. You can export them to a USB flash drive for viewing.



## 4.5 Model Removal After Printing



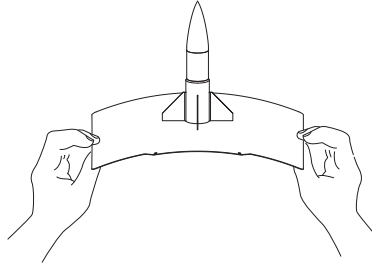
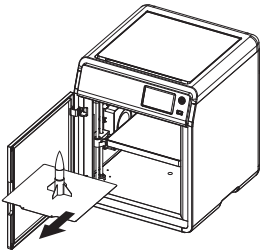
**Note**

When printing is completed, the nozzle and build plate may still be at a high temperature. It is recommended to allow them to cool down before removing the model.

After printing is completed, directly take out the flexible steel plate and bend the platform to remove the model. Ensure there is no residual filament on the platform before the next print.

Tips on Model Removal:

1. Please take the platform plate outside the printer for model removal to prevent model debris from accumulating inside the printer. It's recommended to keep the chamber clean.
2. For models printed with TPU or other flexible materials, it is recommended to use a scraper for removal, which ensures you can remove the flexible model from the bed without causing damage.



# 5. Introduction to Auxiliary Functions



**Note**

The interface layout may change whenever there is an upgrade of firmware.

## 5.1 Leveling and Calibration

During the first startup, equipment calibration will be performed. During subsequent use, choose leveling or vibration compensation as needed.



**When to perform leveling:**

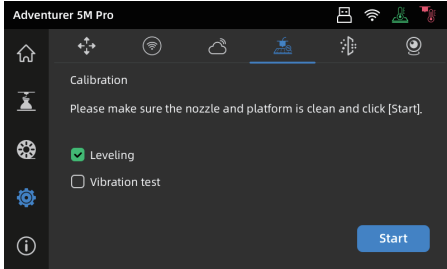
- ◆ If continuously printing with PLA material, perform automatic leveling once with no need to do so before each print. However, performing leveling can inevitably improve the printing success rate;
- ◆ When switching between different materials (e.g., from PLA to ABS), please perform leveling before each print;
- ◆ If the platform-nozzle distance is too far (poor adhesion) or too close (no filament extrusion), please perform automatic leveling;
- ◆ After replacing the build plate or nozzle, please perform automatic leveling.

**When to perform vibration compensation:**

- ◆ When there is noticeable ghosting and ringing on 3D prints;
- ◆ After adjusting the tension of the synchronous belt;
- ◆ When the printer has been unused for a long time and is now being restarted.

Instructions:

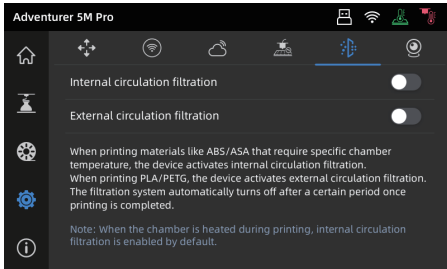
Click [  ] - [  ] to enter the leveling and calibration interface. Choose [Leveling] or [Vibration test], click [Start], and the printer will automatically perform the corresponding operation. (Note: Before calibration, ensure there are no foreign objects on the platform or at the nozzle tip.)



## 5.2 Air Filtration

The printer has internal&external circulation air filtration mechanisms for different materials.

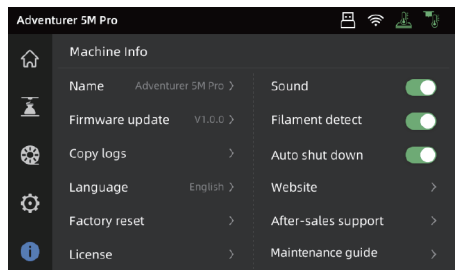
During printing, the printer can automatically choose between internal circulation filtration or external circulation filtration based on the detected printing material. **(Note: Files exported from third-party slicing software cannot be automatically recognized and require manual selection.)**



## 5.3 Other Function Settings

In the information interface, you can enable or disable sound, filament detection and auto shutdown, and perform firmware updates.

- ◆ When [Filament detect] is enabled, the printer will stop printing if filament runs out mid-print.
- ◆ When [Auto shut down] is enabled, the printer will power off automatically 30 minutes after completing a print job.
- ◆ When connected to a wireless network, click [Firmware update] to view the current version, check for updates, and perform online firmware updates.



# 6. Maintenance

---

## 6.1 Suggestions on Platform Plate Usage

1. Powder coated PEI plate requires glue and is suitable for printing PLA/PETG/PLA-CF/PETG-CF/ABS/ASA. TPU printing does not require glue. This plate comes with the printer.
2. PEI film plate is suitable for printing PLA/TPU without glue. For PETG, it's recommended to use glue. This plate can be purchased separately.
3. PC sticker platform plate is suitable for printing PC/ABS/ASA. This plate can be purchased separately.
4. After applying glue to the platform plate, it can be cleaned with water.
5. If the platform plate gets oily, it can be cleaned with a dish detergent.
6. If the platform plate deforms significantly after long-term use, it's recommended to replace it with a new one.

## 6.2 Suggestions on Nozzle Usage

1. Please use one nozzle for the same type of material to avoid clogs and extend nozzle lifespan, especially when working with fiber-reinforced materials and PETG. Please avoid mixing them with other materials.
2. When switching to a different material with the same nozzle, if the new material's printing temperature is lower, adjust the setting to a higher temperature for filament extrusion to purge old filament from the nozzle.
3. When switching to a different material with a higher printing temperature, just load the new filament.
4. To clean residual filament inside the nozzle, you can perform multiple filament loading or manually clear any remaining filament using the unclogging pin tool.
5. After replacing the nozzle, please perform leveling again.

## 6.3 General Maintenance

1. Please apply lubricating oil to the guide rails after 200 hours of printing.
2. Please replace the filter cotton every 300 hours of printing or when it appears darker in color.
3. Please clean the filament residue inside the equipment chamber in time.

# 7. Q&A

## Q1. How to unplug the nozzle?

Method 1: Click [Load] and heat the nozzle to the printing temperature of the used filament. After heating, remove the filament guide tube, and check if the filament is bent or filament tip is not smooth. If so, trim and insert the guide tube and filament into the nozzle, then click [Load] and check.

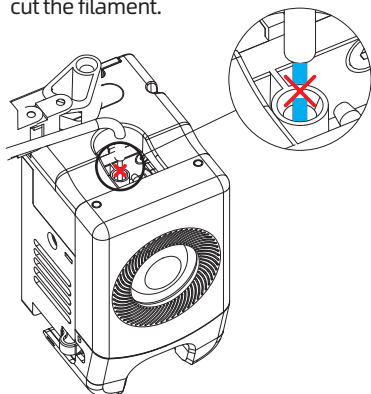
Method 2: If Method 1 doesn't work, use the unblocking pin tool.

Method 3: If Method 2 doesn't work, please replace the nozzle.

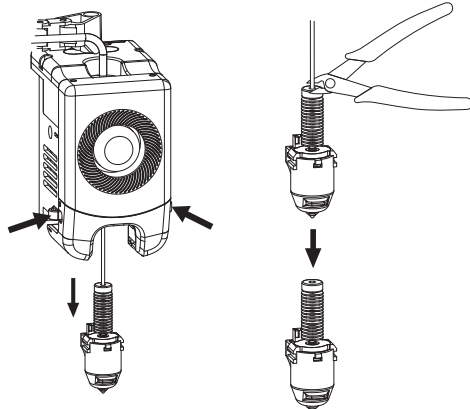
## Q2. How to replace the nozzle?

**⚠ Note** Please power off the printer before replacing the nozzle!

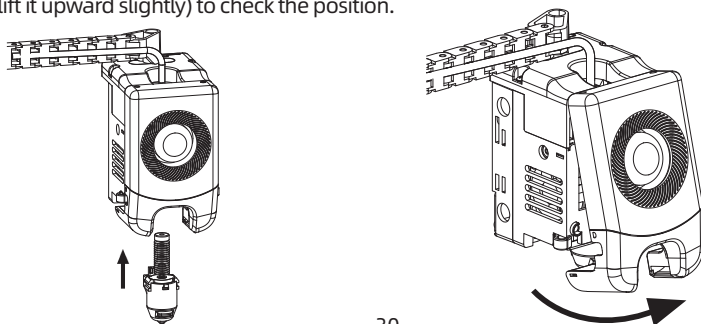
1. Remove the filament guide tube and cut the filament.



2. Press the left and right buckles and remove the nozzle. Trim the filament along the nozzle top.



3. Insert the new nozzle into the extruder and you can hear a "click" sound indicating the buckle position has changed. Ensure that the nozzle slot aligns flush with the bottom of the extruder. Note: If you have trouble aligning the nozzle, you can press the buckles during installation or remove the front cover of the extruder (grab the lower part of the front cover with your hand and lift it upward slightly) to check the position.

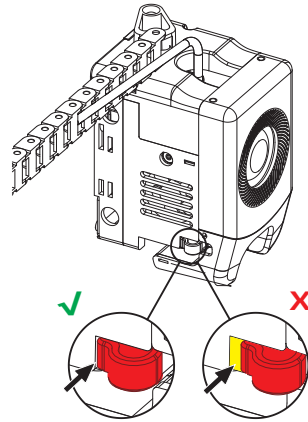




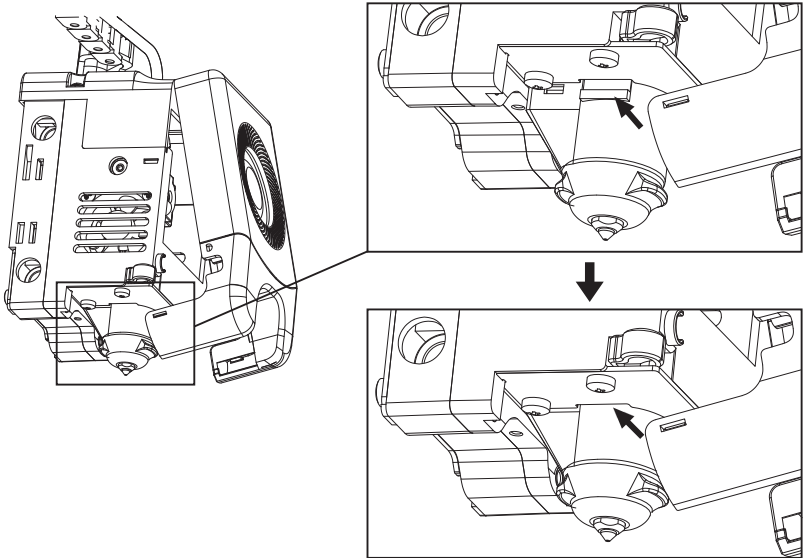
Whether it is installed in place is judged as follows:


1. Ensure the nozzle is pressed to the bottom firmly during installation.
2. Check if it is properly installed:

- a. Check the red buckle positions on the left and right.



- b. Check if the nozzle slot is flush with the bottom of the extruder (if your view is obstructed, you can remove the front cover of the extruder to observe).



4. Power up the printer, click [  ] to enter the loading interface, and follow the on-screen instructions to complete filament loading (refer to 4.1.1). Filament coming out of the new nozzle smoothly indicates a successful nozzle replacement.

### Q3. Is leveling required after nozzle replacement?

Yes. It is recommended to perform automatic leveling to ensure high print quality as slight errors may occur during nozzle installation. The equipment defaults to the leveling operation before each print.

#### **Q4. What to do if the extruder moves but doesn't extrude filament at the beginning of printing after clicking the model for printing?**

1. Observe the filament guide tube to check if filament has entered the nozzle. If not, please click [Load] until filament comes out.
2. Check if the nozzle is clogged. If so, please refer to the solution of Q1.

#### **Q5. What to do if the nozzle position is too high (far from the platform) or too low (hitting the platform) during printing? How to level it?**

Please check if the platform is properly installed and there is no excessive residue on the nozzle. If these issues exist, address them first. Then, go to the settings interface, select the leveling option, and perform automatic leveling or enable automatic leveling before printing.

#### **Q6. Can filaments from other brands be used?**

Yes. You can use filaments from other brands, but certain parameter adjustments are required due to slight temperature differences in different filaments.

#### **Q7. Is it safe to print with ABS material?**

ABS can release toxic gases during heating. It is recommended to enable internal-circulation air filtration during or after printing. If conditions permit, consider printing in a well-ventilated area. It is recommended to print non-toxic materials such as PLA in children's activity places.

#### **Q8. What to do if the printed model warps or doesn't adhere well?**

Method 1: Increasing the platform temperature can improve the adhesion between the platform and the model.

Method 2: Adding a brim during model slicing can alleviate the issue.

Method 3: Apply glue.

Method 4: Clean the platform to remove any oil or dirt.

Method 5: Check if the platform is level. The leveling and calibration function can be used.

#### **Q9. What to do if print files can not be found and the screen displays only folders after inserting the USB flash drive?**

The USB flash drive format is incorrect. The printer supports the FAT32 file system. Please format the USB flash drive to FAT32.

#### **Q10. What to do with the Wi-Fi connection failure?**

1. Please check if the Wi-Fi name contains special characters. If so, modify it and try again.
2. Please check if the password contains special characters. If so, modify it and try again.

### Q11. Firmware update precaution.

Do not power off the printer or disconnect from the network during firmware download or update to prevent update failures.

### Q12. Why is the boot screen white?

If the startup sound can be heard, please replace the screen or cable. If not, please contact our after-sales personnel.

## 8. Help and Support

---

Flashforge's professional after-sales service personnel and salesmen are on standby for you at any time and are ready to help you with any problem you may have with the printer. If the issues or questions are not covered in this User Guide, you can seek for solutions on our official website or contact us by phone.

There are instructions and solutions to common issues that can be found on our official website. Many questions are answered at Flashforge's English official website - [www.flashforge.com](http://www.flashforge.com).

The Flashforge after-sales service team can be reached by phone from 8:00 AM to 5:00 PM, from Monday to Saturday. In case you contact us during off-duty time, your inquiry will be answered the next working day immediately. We apologize for any inconvenience this may cause.



#### Note

Changing different filaments may leave minor impurities in the nozzle, leading to clogs. As this can be solved by just unclogging it, it's not owing to a quality issue. If you encounter this problem during use, please contact customer support and follow their guidance for unclogging.

After-sales Service Tel: 400-886-6023

E-mail: [support@flashforge.com](mailto:support@flashforge.com)

Address: No. 518, Xianyuan Road, Wucheng District, Jinhua City, Zhejiang Province, China

Note: Please provide the product serial number which can be found on the barcode at the back of the printer when contacting customer support.



S/N: FFAD\*\*\*\*\*



更多产品相关资料您可以登陆闪铸官网查看。  
[www.sz3dp.com](http://www.sz3dp.com) - [技术支持]

# 目录

注意事项	36
<b>第一章 设备简介</b>	<b>38</b>
1.1 - 部件介绍	38
1.2 - 设备参数	39
<b>第二章 设备开箱操作</b>	<b>40</b>
2.1 - 开箱	40
2.2 - 装箱清单	42
2.3 - 安装耗材支架	43
2.4 - 解锁平台	44
2.5 - 首次打印	45
<b>第三章 软件简介及安装</b>	<b>48</b>
<b>第四章 打印</b>	<b>53</b>
4.1 - 装载及更换打印耗材	53
4.1.1 - 安装打印耗材	53
4.1.2 - 更换打印耗材	53
4.2 - 网络连接	56
4.2.1 - 无线网络连接	56
4.2.2 - 有线网络连接	56
4.3 - 打印方式	57
4.3.1 - U盘打印	57
4.3.2 - Wi-Fi传输打印	57
4.3.3 - 云打印	58
4.4 - 摄像头连接查看	60
4.5 - 打印后模型移除	61
<b>第五章 打印辅助功能使用介绍</b>	<b>61</b>
5.1 - 调平校准	61
5.2 - 空气过滤	62
5.3 - 其他功能设置	62
<b>第六章 维护</b>	<b>63</b>
6.1 - 打印平台板使用建议	63
6.2 - 喷嘴的使用建议	63
6.3 - 设备一般维护	63
<b>第七章 Q&amp;A</b>	<b>64</b>
<b>第八章 帮助与支持</b>	<b>67</b>

# 注意事项

## 安全提示：请确保认真阅读以下安全提示

注意：每台3D打印机在出厂前都经过打印测试，若设备喷头存在耗材残留或打印平台有轻微划痕，都属正常现象，不影响使用。

### 工作环境安全

- ◆ 请确保设备的工作台面干净整洁。
- ◆ 请确保设备工作时远离可燃性气体、液体及灰尘。设备运行产生的高温有可能会与可燃性气体、液体及空气中的粉尘发生反应从而引发火灾。
- ◆ 儿童及未经培训的人员请勿单独操作设备。

### 用电操作安全

- ◆ 请务必将设备接地，切勿改装设备的插头。未接地/未正确接地/改装插头必然会增加漏电风险。
- ◆ 请勿将设备暴露在潮湿或暴晒的环境中：潮湿的环境会增加漏电的风险，暴晒会加速设备的塑件老化。
- ◆ 请勿滥用电源线，务必使用闪铸集团提供的电源线。
- ◆ 切勿在雷雨天气使用设备。
- ◆ 如长时间不使用设备，请关闭设备并拔下电源线插头。

### 个人操作安全

- ◆ 在设备运行时，请勿触碰喷头、平台等位置！
- ◆ 在打印完成时，请勿触碰喷头、平台，以免高温烫伤或机械损伤！
- ◆ 在操作设备时，请勿穿戴围巾、口罩、手套、珠宝装饰等容易卷入设备的物件！
- ◆ 请勿在饮酒、服药之后操作设备！

### 设备使用提示

- ◆ 保持设备内部整洁，切勿将金属物体掉入打印平台底部的滑槽内。
- ◆ 请及时清理丝料碎屑，建议在设备外进行操作。
- ◆ 自行对该设备进行任何改装将自动失去保修保障。
- ◆ 请在设备进丝操作时，喷头和平台的距离至少保持50mm的距离。距离过近可能会造成喷头堵塞。
- ◆ 请在通风的环境下操作设备。
- ◆ 请勿利用该设备进行违法犯罪的活动。
- ◆ 请勿利用该设备制作食物储存类产品。
- ◆ 请勿将打印模型放入口腔。

### 设备运行环境要求

- ◆ 室内温度在15-30°C为宜；湿度在20%-70%为宜。

### 设备放置要求

- ◆ 设备需要被放置于干燥通风的环境中。设备前后左右四周必须预留至少35cm的空间距离。存储温度在0-40°C为宜。

### 设备兼容耗材要求

- ◆ 在使用该设备时，建议使用闪铸提供或指定的耗材。如使用非闪铸提供耗材，材料特性有所差异，打印参数可能需要调整。

### 耗材存储要求

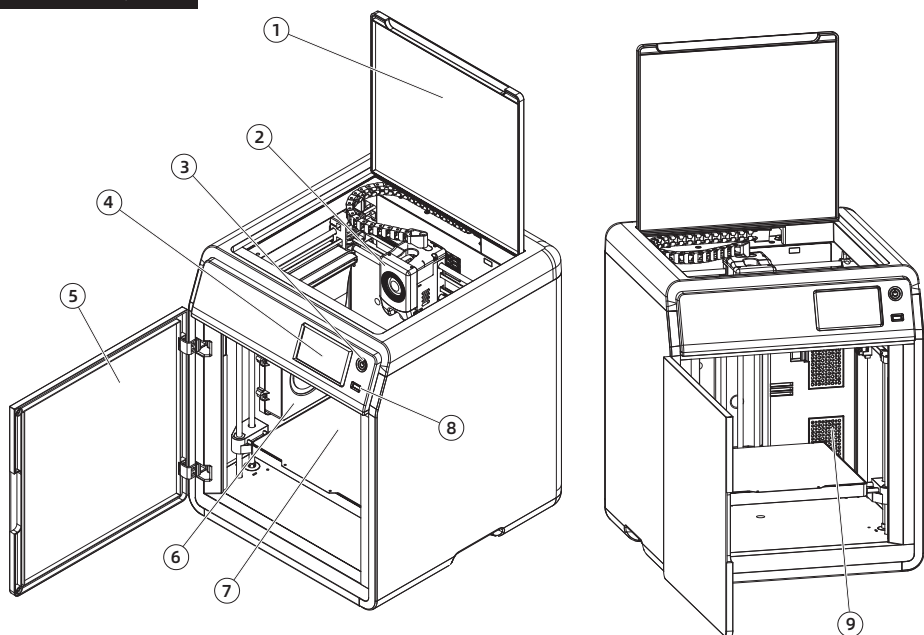
- ◆ 耗材拆封后请保持储存环境干燥，无尘，建议配套干燥盒存储。

### 法律申明

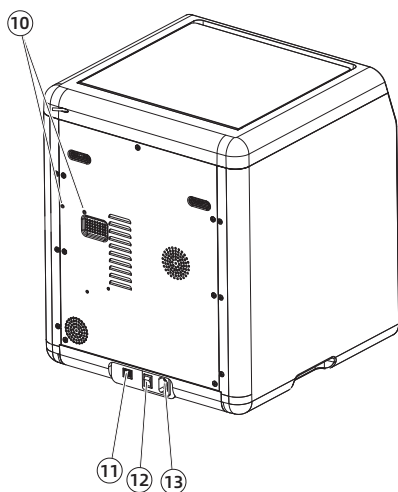
- ◆ 用户无权对此使用手册进行任何修改。
  - ◆ 客户若自行拆装或改造设备造成任何安全事故，闪铸集团概不负责。未经闪铸集团允许，任何人不得对该手册进行修改或翻译。本手册受版权保护，闪铸集团对本手册保留最终解释权。
- 第一版（2023年9月）
- ◆ @Copyright 2023浙江闪铸集团有限公司版权所有

# 第一章 设备简介

## 1.1 部件介绍



1. 上门板
2. 喷头
3. 开关机键
4. 显示屏
5. 前门板
6. 辅助散热风扇
7. 打印平台
8. USB接口
9. 空气滤芯
10. 料盘支架安装孔
11. 网线接口
12. 电源开关
13. 电源接口





## 1.2 设备参数

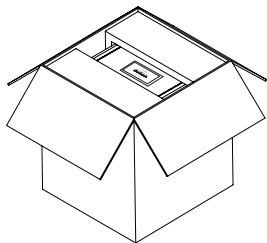
设备名称	冒险家5M Pro
喷头数量	1
打印精度	±0.2mm [以100mm方块为测试基准]
定位精度	X/Y轴: 0.0125mm, Z轴: 0.0025mm
层厚度	0.1-0.4mm
打印尺寸	220 x 220 x 220mm
喷嘴口径	0.4mm默认[0.6/0.8/0.25mm可选]
打印速度	10-300mm/s
最大加速度	20000mm/s <sup>2</sup>
最大移动速度	600mm/s
最高喷头温度	280°C
支持耗材类型	*PLA/*PETG [0.4mm口径] ABS/ASA *TPU/PLA-CF/PETG-CF [0.6/0.8mm口径] * 为推荐打印材料
电 源	输入: AC 100~240V, 50/60Hz, 350W
设备尺寸	380 x 400 x 453mm [不含料盘支架]
净 重	14.6kg
打印连接方式	USB接口/Wi-Fi/以太网
工作温度	15-30°C
兼容的操作系统	Windows 7/8/10/11; Linux支持Ubuntu 20.04及以上版本; Mac OS支持10.9及以上版本
切片软件	FlashPrint 5 / Orca / Prusa / Cura
平台最高温度	110°C
调平方式	一键自动调平
断丝提醒	√
断电续打	√
智能触控液晶屏	4.3英寸
远程视频监控	√
延时视频	√
空气过滤网	内循环+外循环 [HEPA+活性炭]
打印平台	PEI柔性钢板
自动关机	√

# 第二章 设备开箱操作

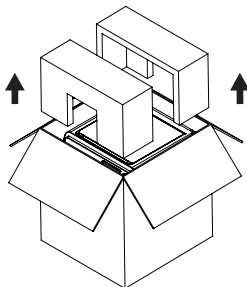
## 2.1 开箱

安全提示：请勿在打印机安装完成之前通电。

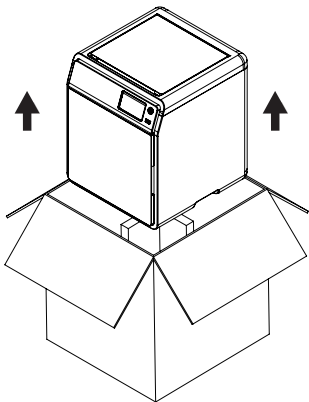
1. 打开纸箱。



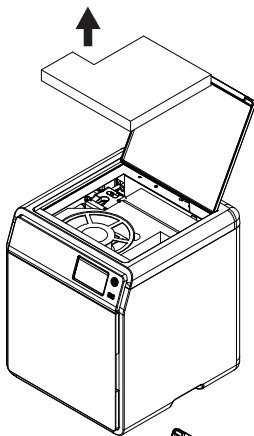
2. 取出上方固定泡棉以及快启售后服务卡。



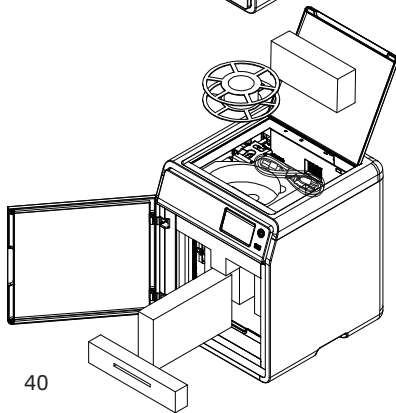
3. 取出机器放置水平桌面，去除包装袋和固定胶带。



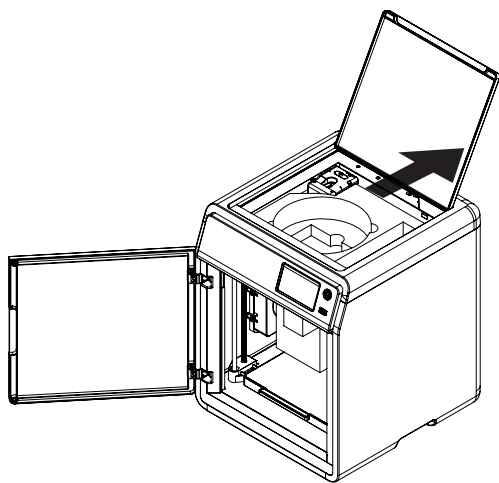
4. 打开机器上盖，取出上部保护棉。



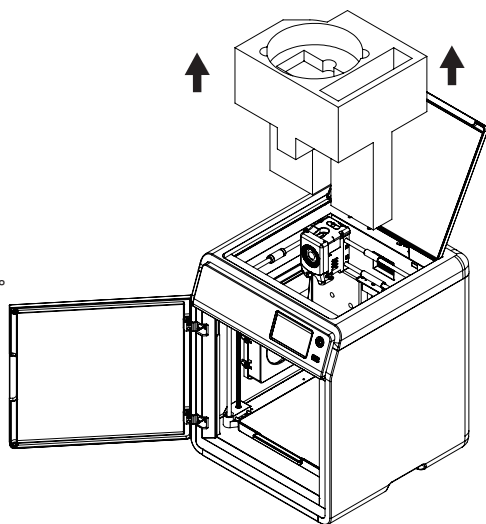
5. 取出腔体保护棉内的耗材、电源线和喷头内侧保护棉，同时打开机器前门，取出前部保护棉及配件盒。



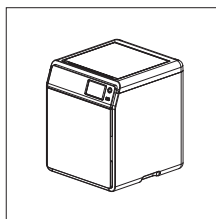
6. 按照箭头方向移动腔体泡棉。



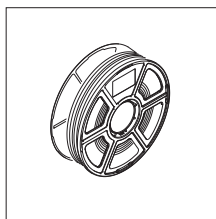
7. 取出泡棉，完成开箱。



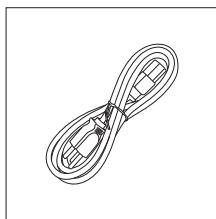
## 2.2 装箱清单



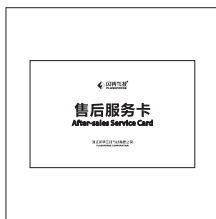
3D打印机



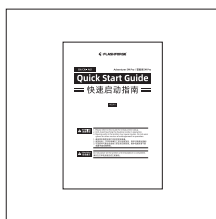
耗材



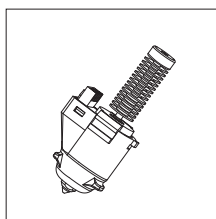
电源线



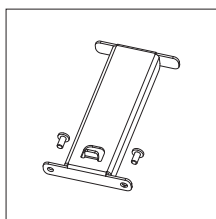
售后服务卡



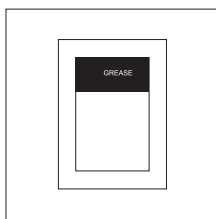
快速启动指南



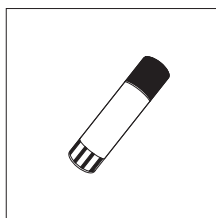
0.6mm 口径喷嘴



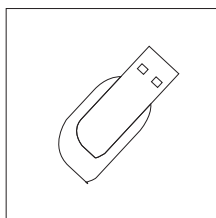
料盘支架  
[含两颗螺丝]



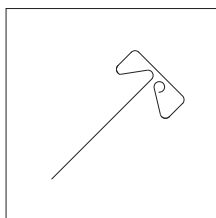
润滑脂



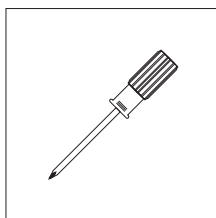
水洗胶



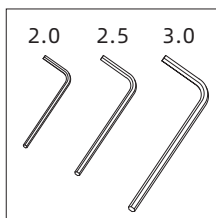
U盘



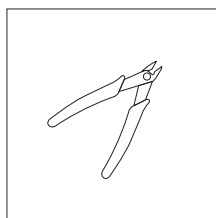
通针



十字螺丝刀



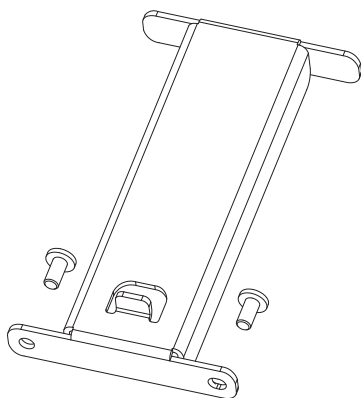
内六角扳手



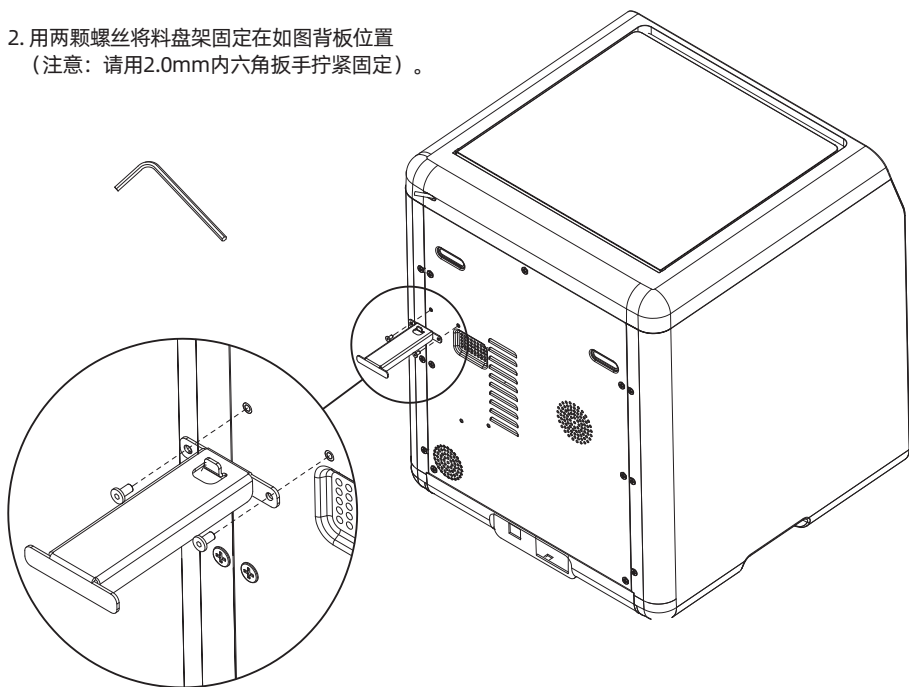
斜口钳

## 2.3 安装耗材支架

1. 取出配件盒中的两颗螺丝和料盘架。



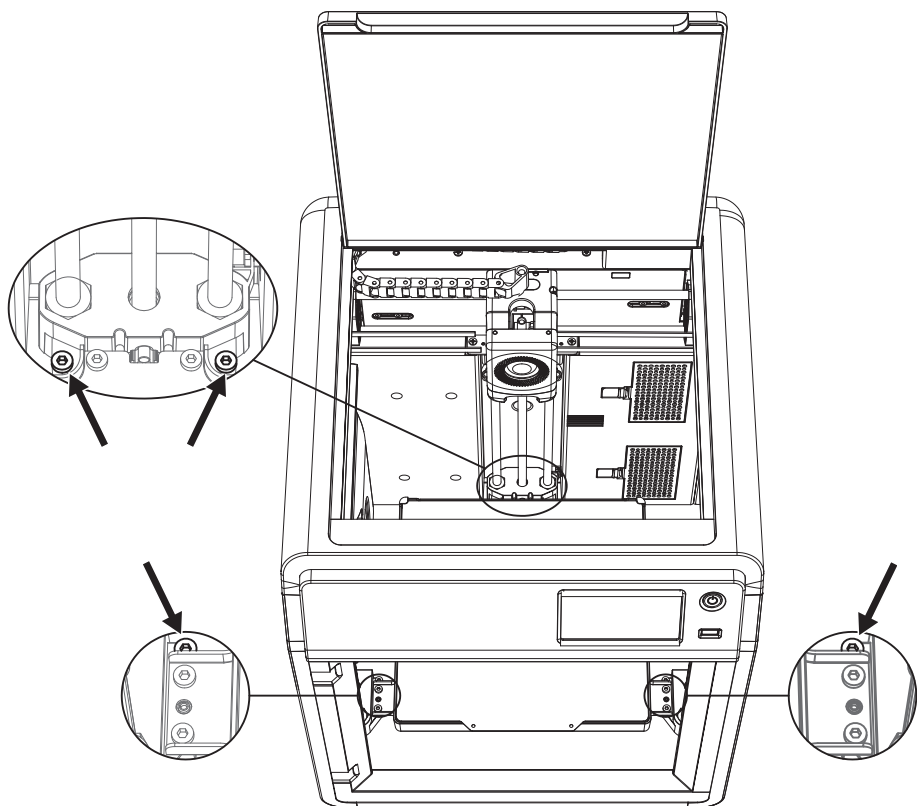
2. 用两颗螺丝将料盘架固定在如图背板位置  
(注意：请用2.0mm内六角扳手拧紧固定)。



## 2.4 解锁平台

**⚠ 注意事项** 请确认打印平台无异物!

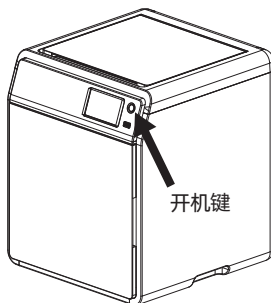
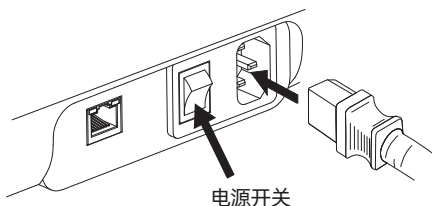
用2.0mm内六角扳手取下图示中的4颗螺丝（可参照机器上箭头标识），解锁打印平台。



## 2.5 首次打印

\* 固件不定期更新，UI界面请以实际为准。

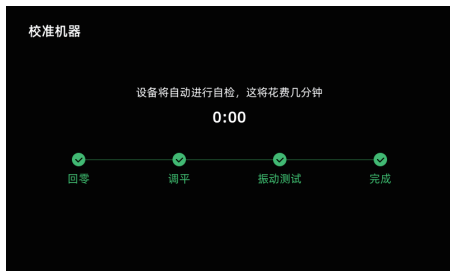
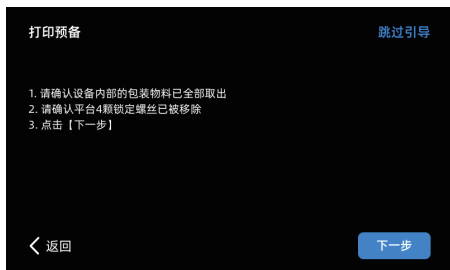
1. 连通电源，打开电源开关，点击开机键点亮屏幕。



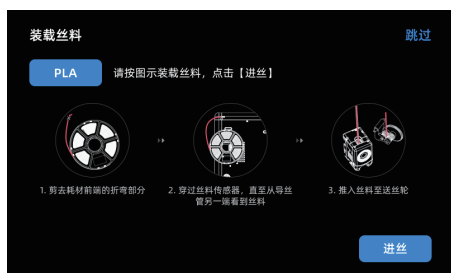
2. 根据屏幕上的开机指引完成界面语言选择。



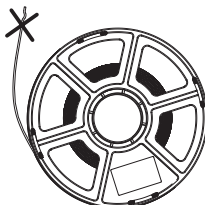
3. 根据屏幕提示，点击[下一步]，机器进行首次校准。校准过程中出现震动和噪音属于正常现象。（注：请将机器放置于稳定的平台面，且校准过程中请勿移动机器。）



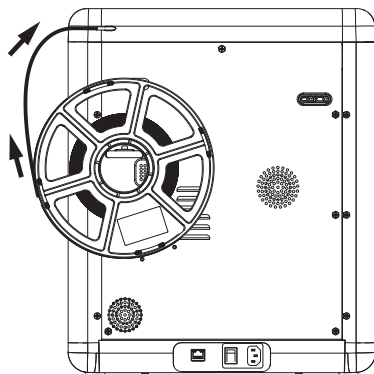
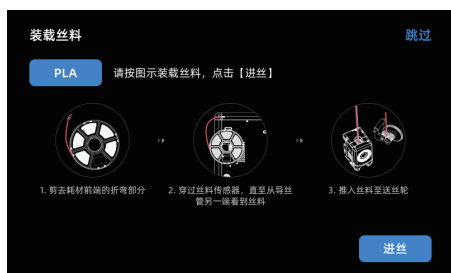
#### 4. 根据屏幕开机指引完成耗材安装进丝操作：



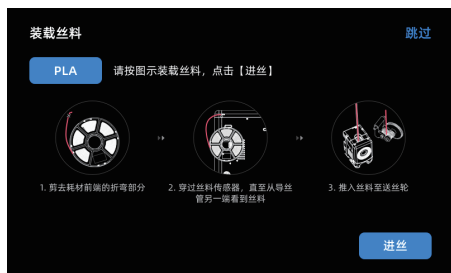
a. 剪去耗材头部弯折部分。



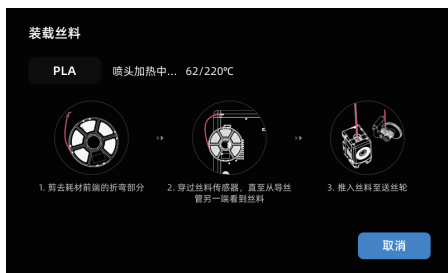
b. 将耗材挂在耗材架上，穿过丝料传感器，直至从导丝管一端看到丝料，将丝料推送到送丝轮处，直到无法再推入（\*首次开机请使用PLA耗材进行第一次打印）。



C1. 点击进丝，首次选择默认[PLA]。

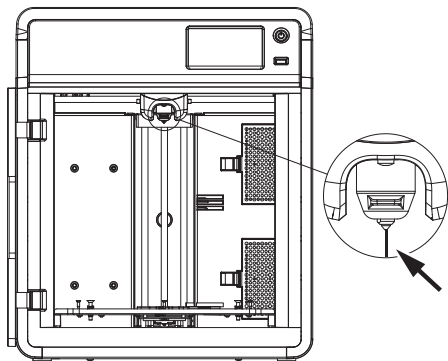
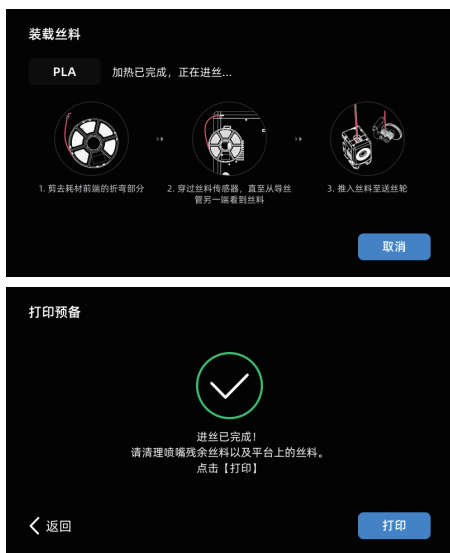


C2. 等待喷头加热。





C3. 加热后将开始进丝，直至丝料从喷嘴吐出，说明进丝成功，最后确认导丝管也已完好的插入进丝口。

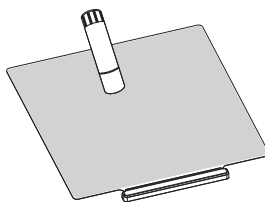


#### ⚠ 注意事项

若一直未见丝料吐出，请用手握住丝料，插入进丝口，点击[返回]重新进行进丝操作。用手感受是否有丝料输送，直到丝料吐出。

5. 清理喷嘴残料以及平台上残余耗材，在打印平台上涂一层胶水，请全幅面涂抹均匀。

注：涂抹胶水有利于改善模型粘附。



6. 点击[打印]，机器开始首次打印内置文件（该文件的配置参数使用的材料为PLA）。



# 第三章 软件简介及安装

## 冒险家5M系列配套切片软件简要说明

### ⚠ 注意事项

阅读软件简要说明前，请确认已查看快速启动指南，并已经完成第一次开机打印。

三维模型文件打印前需要先进行对应机器的切片预设才能进行打印。

推荐使用切片软件：**OrcaSlicer / FlashPrint 5**。

打印前置步骤为：



### 开源切片软件 OrcaSlicer

该切片软件由开源社区创建，拥有更多的开放配置参数。  
用户若有一定的3D打印经验，建议使用此切片软件。

### 下载安装路径

1. 从官方网站 <https://github.com/SoftFever/OrcaSlicer/releases> 下载最新的切片软件。
2. 在U盘中找到OrcaSlicer软件安装包，选择对应的系统版本进行安装。

### 提示

注：文件可按项目导入，每次打开都需要点击一次项目文件。

文件按预设导入，按预设导入时无需每次打开，但是软件更高版本时将无法兼容预设文件。

## 如何使用OrcaSlicer (按项目文件导入)

\* 图中仅用一种机型示意使用步骤讲解

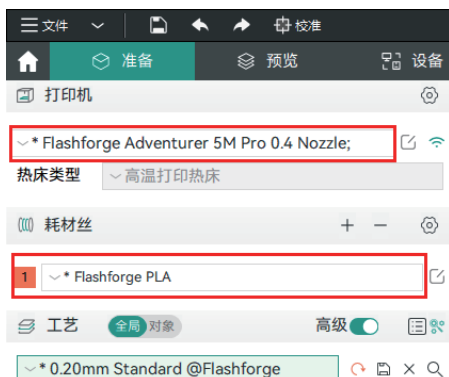
1. 打开安装好的OrcaSlicer软件。



2. 点击[打开项目]。



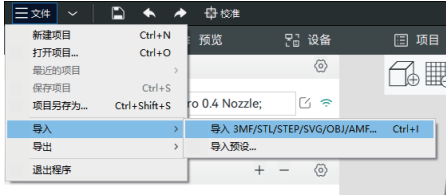
3. 配置文件的格式为.3mf, 可从U盘中找到对应配置文件, 直接拖入Orca软件或直接打开 (若设备未配置U盘请从闪铸官网下载对应机型配置文件)。



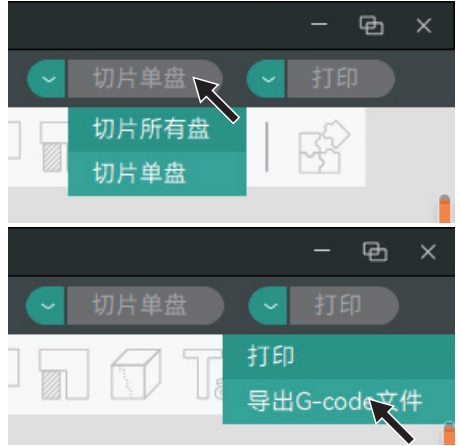
4. 导入配置文件后, 软件界面将会显示对应机型, 可选择需要打印的材料。



5. 选择需要打印的模型文件，可直接拖入软件或者点击[文件]导入STL/STEP/OBJ/3MF等格式模型文件。



6. 点击切片按钮，待切片完成后点击[导出G-code文件]，将文件存入U盘，然后将U盘插入设备即可打印。



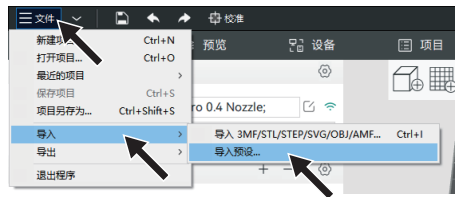
## 如何使用OrcaSlicer (按预设导入)

\* 图中仅用一种机型示意使用步骤讲解

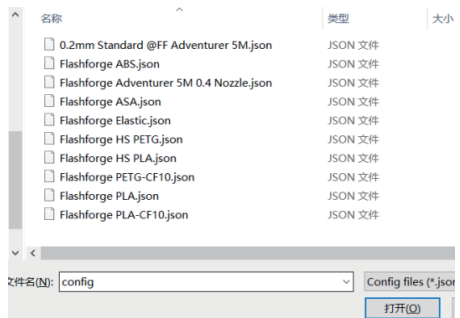
1. 打开安装好的OrcaSlicer软件。



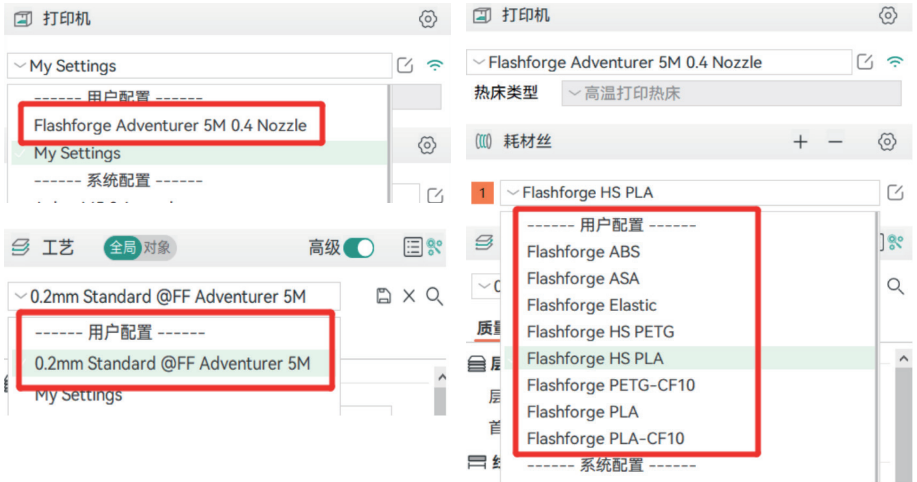
2. 点击[文件] - [导入] - [导入预设]。



3. 预设配置文件格式为.json，可从U盘中找到对应预设文件，直接全选打开即可（若设备未配置U盘请从闪铸官网下载对应机型配置文件）。

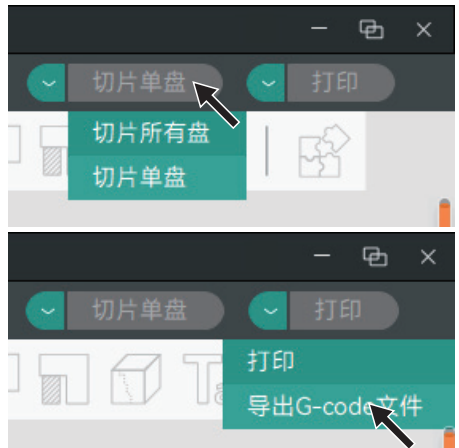


4. 导入完成后，在打印机、耗材丝、工艺栏的用户配置里分别会显示对应机型、可选材料及推荐参数。



5. 选择需要打印的模型文件，可直接拖入软件或者点击[文件]导入STL/STEP/OBJ/3MF等格式的模型文件。

6. 点击切片按钮，待切片完成后，点击导出G-code文件，将文件存入U盘，然后将U盘插入设备即可打印。



## 闪铸官方匹配的切片软件FlashPrint 5

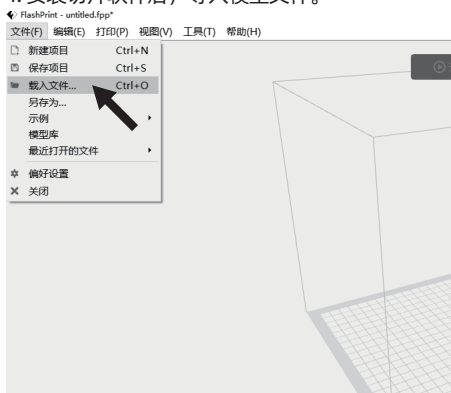
\* 图中仅用一种机型示意使用步骤讲解

FlashPrint 5非开源软件，该软件简单易用，适合无3D打印经验或无参数调试需求的用户使用。

### 下载地址

1. 从官方网站 <https://www.sz3dp.com/download-center> 下载最新的切片软件。
2. 在U盘中找到FlashPrint5软件安装包，选择对应的系统版本进行安装。

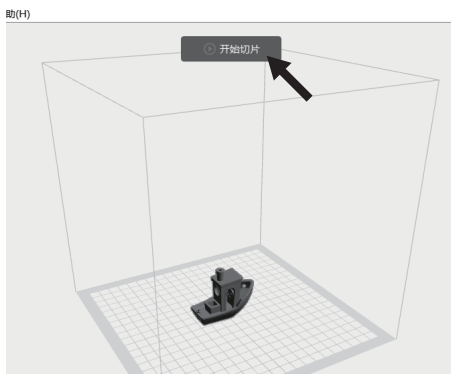
### 1. 安装切片软件后，导入模型文件。



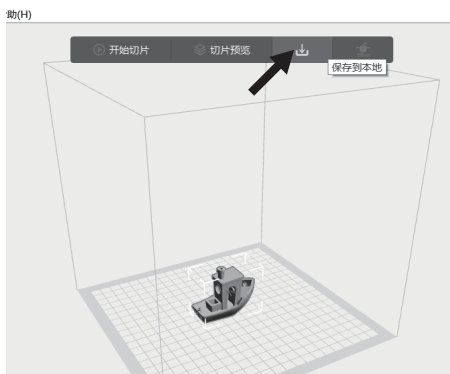
### 2. 选择对应机型。



### 3. 点击开始切片。



### 4. 完成切片后保存文件至U盘，可使用U盘进行打印。



### ⚠ 注意事项

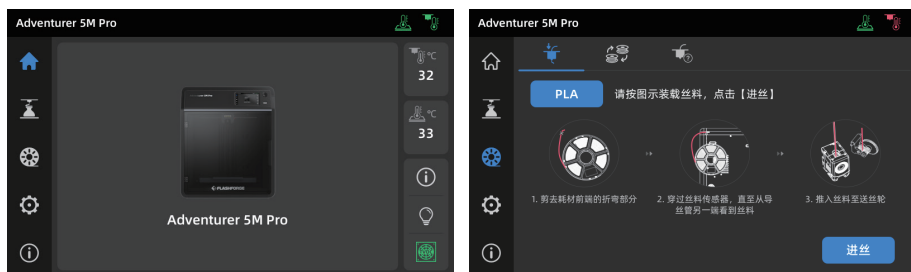
FlashPrint 5中可用的切片配置文件是基于对各种类型耗材的广泛测试而配置的。我们建议使用配置文件中包含的推荐温度设置。如果您认为特定的耗材需要不同的温度，可进行微调，使用设定温度打印较小物体进行测试，确保一切顺利运行。

# 第四章 打印



## 4.1 装载及更换打印耗材

### 4.1.1 安装打印耗材

点击  进入进丝页面，根据屏幕提示完成进丝操作。

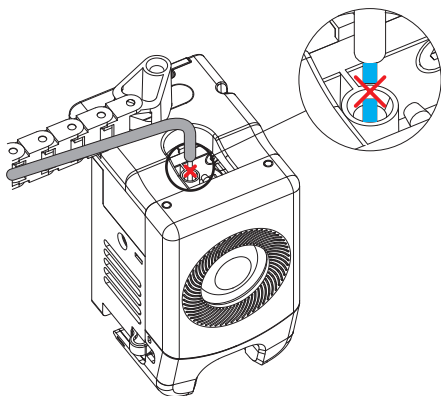


### 4.1.2 更换打印耗材

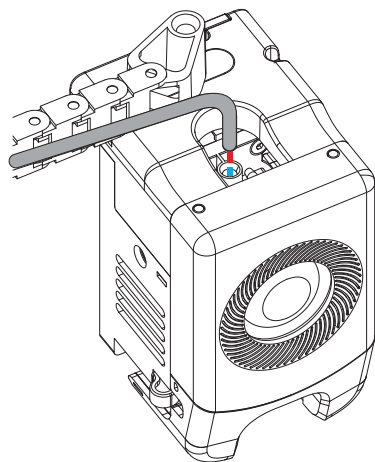
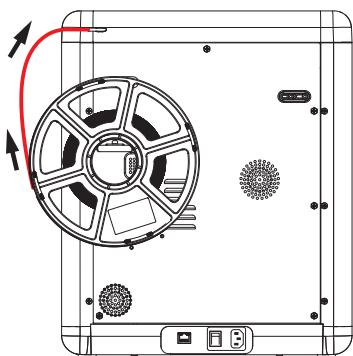
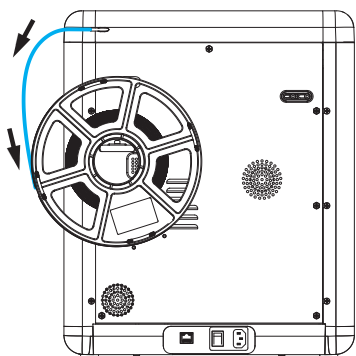
1. 点击  -  进入进丝页面，根据屏幕提示完成换丝操作。



2. 按照图示拔出导丝管，剪断丝料。

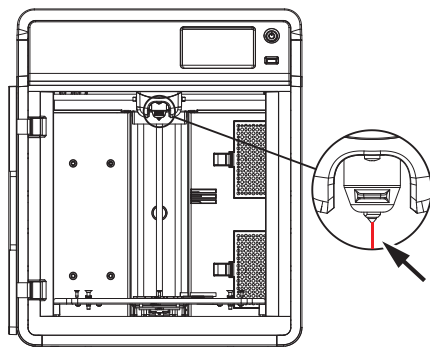
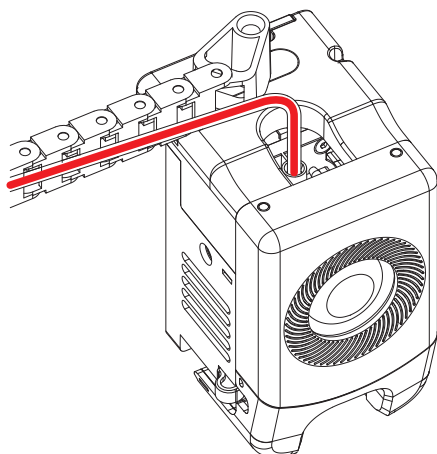


3. 抽出已剪断的丝料，将新的丝料插入导丝管。如材料类型更换，点击[PLA]按钮选择相应的耗材类型。






4. 点击**[开始]**，等待喷头加热并开始进丝。当看到旧丝料挤出后，将新丝料插入进丝口，观察新丝料输送以及喷嘴挤出情况。若新丝料从喷嘴顺利吐出，则说明换丝成功；若未见新丝料吐出，请用手握住丝料，插入进丝口，点击**[再次进丝]**重新进行进丝操作。用手感受是否有丝料输送，直到丝料吐出。进丝成功后，请将导丝管完好插入进丝口。



### ⚠ 注意事项


1. 若前一卷丝料完全用完，此时导丝管里也无丝料时，可以直接按进丝操作执行。
2. 换丝时尽量使用新丝料将旧丝料清洗干净。
3. 可点击  查看屏幕中的喷嘴使用指南。

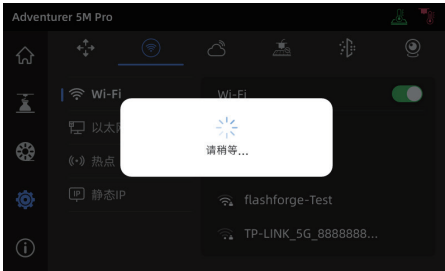
## 4.2 网络连接

点击  -  进入网络连接界面。




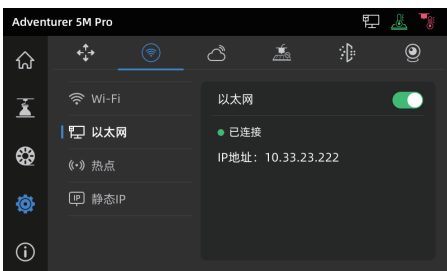
### 4.2.1 无线网络连接

打开Wi-Fi开关，点击连接对应无线网络，连接成功后相应网络会被标记，并在屏幕右上角出现  图标。



### 4.2.2 有线网络连接

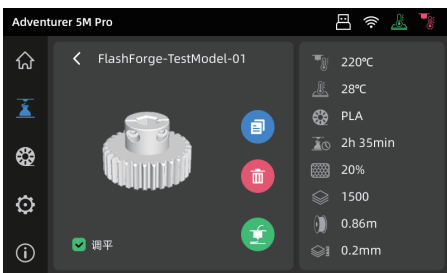
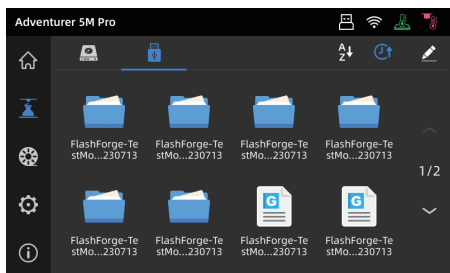
1. 选择以太网，根据屏幕提示将网线插入设备背部的网线接口。
2. 连接成功后有线网络会显示已连接，屏幕右上角出现  图标。



## 4.3 打印方式

### 4.3.1 U盘打印

设备可通过U盘打印。将切片好的文件保存至U盘，将U盘插入设备，选择对应文件即可打印。

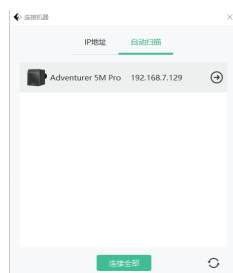


### 4.3.2 Wi-Fi传输打印

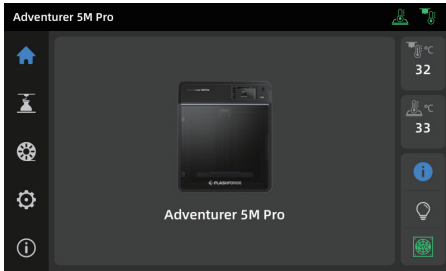
打印机连接网络成功后，打开FlashPrint 5，切片完成后，点击菜单中的打印按钮，选择冒险家5M Pro连接机器；可通过输入IP地址或自动扫描的方式进行连接。

#### ⚠️ 注意事项

打印机连接的网络和电脑连接的网络必须在同一网段中，否则无法连接成功。



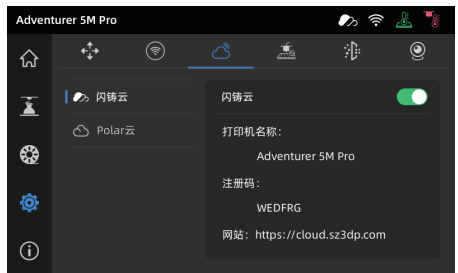
IP地址可长按已连接网络查看或点击[🏠]-[📄]，在[基本信息]页面中查看。



### 4.3.3 云打印

#### 闪铸云打印

1. 点击[⚙️]-[☁️]，打开FlashCloud（闪铸云）连接开关并查看注册码。

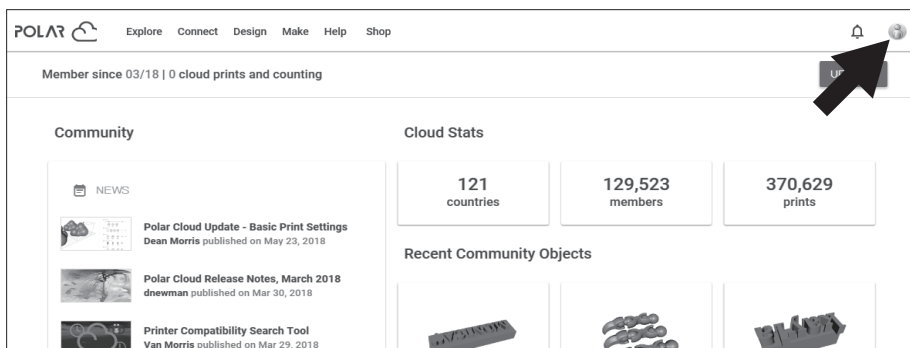


2. 打开闪铸云网站，注册账号，经过邮箱激活后即可登录使用。闪铸云：<https://cloud.sz3dp.com/>
3. 点击[我的打印机] - [添加打印机]。在添加打印机页面填写注册号（云注册码），为打印机起个名字，点击确定后，这些信息会出现在打印机的闪铸云界面。

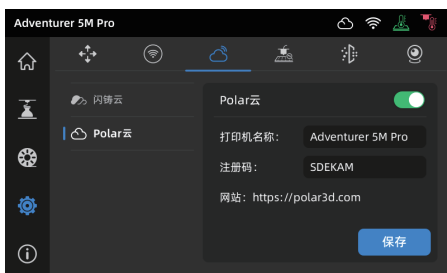


**Polar云打印** 打开Polar云网站注册账号。Polar云: <https://polar3d.com>。  
注: Polar云可能除美国以外, 服务不可用。

登录后, 点击右上角头像图标, 点击[Settings], 点击菜单中的PIN Code 查询PIN码。

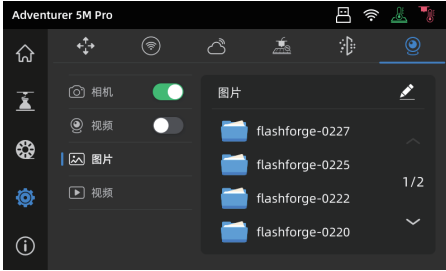


冒险家5M Pro连接网络后打开Polar云开关,  
输入账号与PIN码即可。

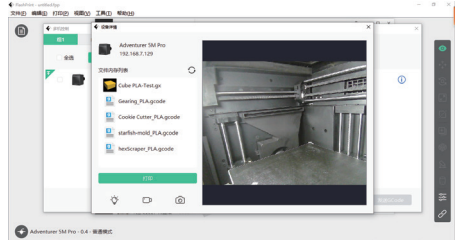


## 4.4 摄像头连接查看

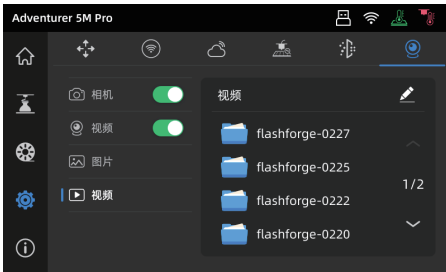
1. 点击  -  打开摄像头开关。



2. 设备与FlashPrint 5连接后可以在FlashPrint 5-[多机控制]中查看到实时视频画面。



3. 打开视频按钮，在模型打印完成后将生成视频文件，可导出到U盘查看。



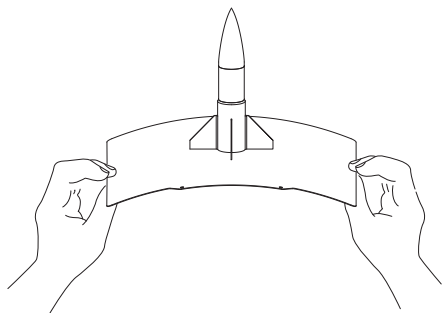
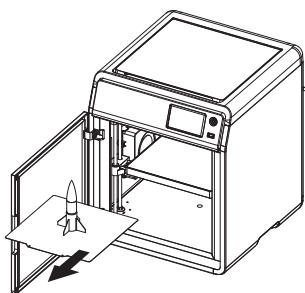
## 4.5 打印后模型移除

**⚠ 注意事项** 打印完成时，喷嘴和打印平台可能仍处于高温状态，建议冷却后再进行取模型操作！

打印完成后直接取出平台柔性钢板，弯折平台即可取下模型。二次打印时，请确保平台无残余丝料。

模型移除建议：

1. 请将平台板拿到设备外部再进行移除，否则模型碎屑容易留在设备腔体内，建议保持腔体清洁。
2. 建议使用刮刀取下TPU或其他柔性材料打印的模型，使用刮刀进行此操作将确保您可以从面板上剥离柔性模型，而不会对模型造成损坏。



# 第五章 打印辅助功能使用介绍

**⚠ 注意事项** 因固件会不定期升级，界面请以实际显示页面为准。

## 5.1 调平校准

首次开机引导会执行一次设备校准。后续使用过程中根据情况选择调平或振动补偿。



关于何时需执行调平的说明：

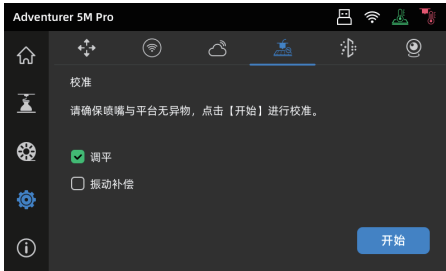
- ◆若是持续只打印PLA材料时，可以只执行一次自动调平，无需进行每次打印前调平，做一次调平有利于提升打印成功率。
- ◆若涉及打印材料类型的切换，例如从PLA材料切换到ABS材料打印，需要执行每次打印前调平。
- ◆若平台与喷嘴距离过远（粘附不住）或者过紧（丝料不吐出）时请执行自动调平。
- ◆更换新的打印平台板或者打印喷嘴后，需执行自动调平。

关于何时需执行振动补偿的说明：

- ◆打印模型振纹明显。
- ◆调节同步带松紧后。
- ◆设备长时间未使用，重新启用。

操作说明：

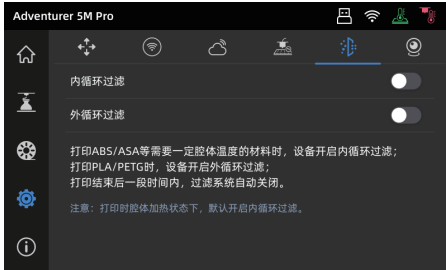
点击  -  进入调平校准页面，选择[调平]或[振动补偿]，点击[开始]按钮，设备将自动进行相应校准操作。（注意事项：校准开始前，请确保平台以及喷嘴尖部无异物残留。）



## 5.2 空气过滤

打印机针对不同材料打印情况分别设置内循环和外循环空气过滤机制。

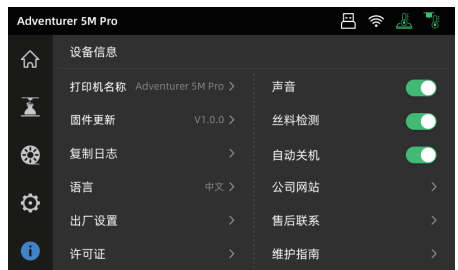
打印时设备可根据检测到的打印材料自动选择开启内循环过滤或外循环过滤（注：第三方切片软件导出的文件无法自动识别，需手动选择）。



## 5.3 其他功能设置

在设备信息界面中可开启或关闭声音、丝料检测和自动关机功能以及进行固件升级。

- ◆ 丝料检测功能开启时，设备将会在打印中途丝料用完时停止打印。
- ◆ 自动关机功能开启时，设备将会在模型打印完成30分钟后自动关机。
- ◆ 在无线网络连接时，点击固件升级可查看当前版本以及检测是否有新固件版本，并进行在线固件升级。





# 第六章 维护

---

## 6.1 打印平台板使用建议

1. PEI 粉末喷涂板需要配合胶水使用，适合打印PLA/PETG/PLA-CF/PETG-CF/ABS/ASA；TPU 打印时无需涂抹胶水。该板子为设备标配。
2. PEI 膜贴板适合打印PLA/TPU可以不使用胶水，打印PETG 建议配合胶水使用。该板子可额外购买。
3. PC 贴纸平台板适合打印PC/ABS/ASA。该板子可额外购买。
4. 平台板涂胶水后可使用水清洗。
5. 平台板若沾染油污，可使用洗洁精清洗。
6. 平台板若长期使用后有较大形变，建议更换新的平台板。

## 6.2 喷嘴的使用建议

1. 建议一个喷嘴组件对应同类材料使用。尤其是纤维增强材料与PETG，不可与其他材料混用，若混用材料容易引起堵头，降低喷头使用寿命。
2. 使用同个喷嘴打印不同耗材，更换的耗材打印温度低于当前喷头内耗材的打印温度，需要使用更高温的设置来进行吐丝，进行内部丝料的清洗。
3. 需要更换的耗材打印温度高于当前喷头内耗材的打印温度，直接用新耗材进丝即可。
4. 清洗喷嘴内残余丝料，可多次进丝，或手动通针疏通挤出残留丝料。
5. 更换新的喷嘴组件后，请重新进行调平操作。

## 6.3 设备一般维护

1. 打印累计200小时，建议设备的导轨处涂抹润滑油。
2. 建议每300小时，更换一次过滤棉，或观察滤棉颜色，颜色较深时请更换。
3. 建议及时清理设备腔体内的耗材残渣。

# 第七章 Q&A

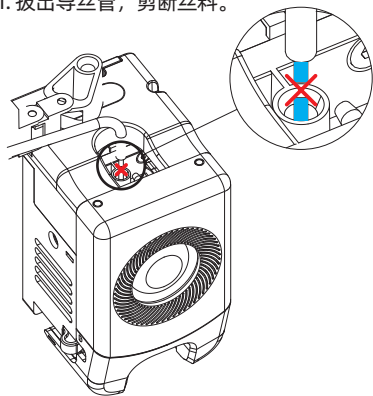
## Q1. 喷嘴堵头怎么办？

- 方案1：点击进丝按钮，将喷嘴温度加热至所用耗材的打印温度，待加温完成，拔出导丝管，查看丝料是否弯折，丝料头部是否平整。若不是，剪平整后将导丝管与丝料装入喷头，再点击进丝查看。
- 方案2：方案1无改善，则使用通针通丝。
- 方案3：若使用通针通丝仍无法解决堵头问题，请更换喷嘴。

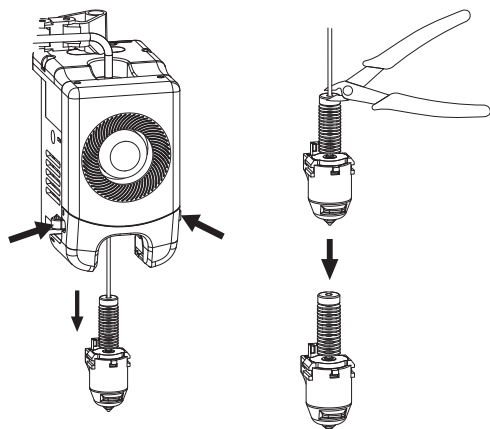
## Q2. 如何更换喷嘴？

**⚠ 注意事项** 更换喷嘴前请先关机断电，请勿带电操作！

1. 拔出导丝管，剪断丝料。

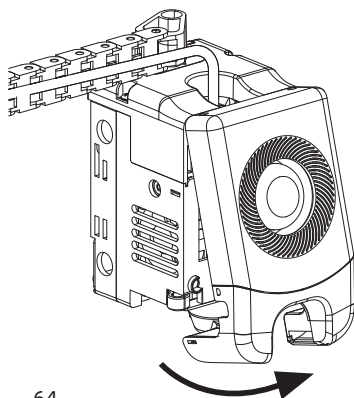
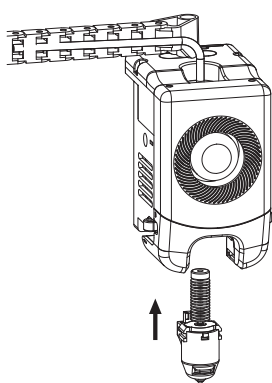


2. 按压住左右扣，同时拔出喷嘴，沿喷嘴顶部剪平丝料。



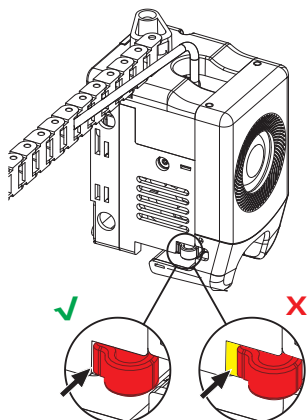
3. 将新喷嘴插入喷头中，可听到“咔”卡扣位置变换声，确保喷嘴卡槽位与喷头下部齐平，完成喷嘴更换。

注：如始终无法准确对齐喷嘴位置，可在安装时按压卡扣或取下喷头前罩（用手抓住喷头前罩下方外拉并向上轻抬即可取下）查看位置。

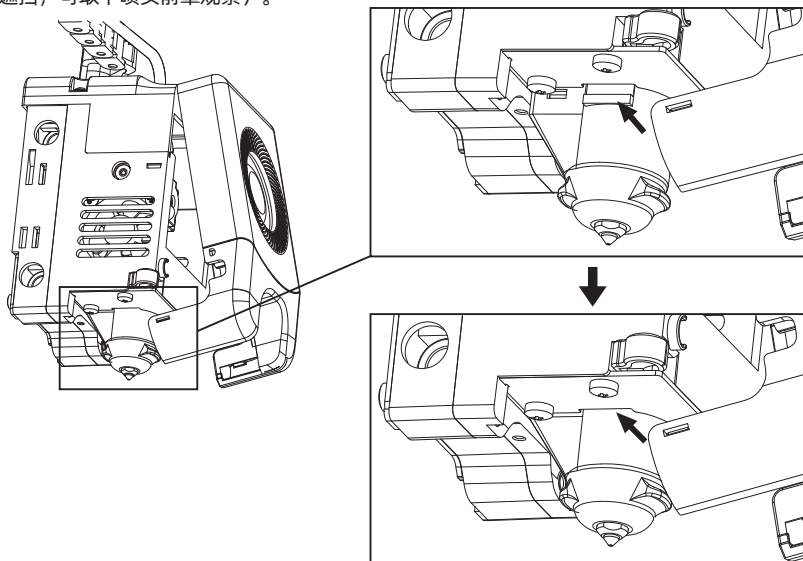



喷头装配是否到位的判断如下：

1. 安装必须用力将喷嘴按压到底；
2. 检查是否安装到位：
  - a. 检查左右红色卡扣位置。



- b. 检查喷嘴卡槽位与喷头下部是否齐平（如视线有遮挡，可取下喷头前罩观察）。



4. 重新通电，点击进入进丝页面，根据屏幕提示完成进丝操作(见4.1.1)，丝料顺利吐出，即喷嘴更换成功。

### Q3. 更换喷嘴后需要调平校准吗？

需要执行自动调平。喷头安装可能会产生微小误差，为保证打印质量，建议进行调平校准。设备每次打印前默认勾选调平操作。

### Q4. 点击打印模型，喷头运动，但打印一开始就没有出丝怎么办？

1. 观察导丝管，确认丝料是否已进入喷头，若无，请再点击进丝按钮，直至丝料从喷头中吐出。
2. 查看喷头是否堵头，若是，解决方案请查看Q1。

## Q5. 打印时发现喷嘴与平台相对位置过高（远离平台）或过低（顶到平台）怎么办？如何调平？

请先确认打印平台是否安装到位以及喷嘴上是否有过多残料，若存在以上问题请先处理上述问题，然后进入设置页面，选择调平选项，执行自动调平或开启打印前自动调平。

## Q6. 可以使用其他品牌的丝料吗？

可以使用其他品牌丝料，但由于不同材料参数温度略有区别，需要经过参数调整配置。

## Q7. 打印ABS材料安全吗？

ABS在加热过程中会释放有毒气体，建议打印时或打印后开启内循环空气过滤进行过滤。如条件允许，建议将设备置放在开阔环境下打印。儿童活动场所建议打印PLA无毒材料。

## Q8. 打印模型发生翘边或粘不牢现象怎么办？

方案1：增加平台温度可有效缓解此问题，高温可增加平台与模型的粘附力。

方案2：模型切片时选择添加帽檐（birm）可有效缓解此问题。

方案3：涂抹胶水。

方案4：清洗平台板，去除油污。

方案5：确认平台是否放平。可使用调平校准功能。

## Q9. 插入U盘后找不到打印文件，屏幕显示全为文件夹怎么办？

U盘格式不正确，设备支持FAT32格式的文件系统，请将U盘格式化成FAT32格式。

## Q10. Wi-Fi连接不上怎么办？

1. 请检查Wi-Fi名称是否含有特殊字符，如果有，请修改之后再次尝试。

2. 请检查密码是否含有特殊字符，如果有，请修改之后再次尝试。

## Q11. 更新固件注意事项。

请不要在下载或更新固件时断电断网，防止更新失败。

## Q12. 为什么开机屏幕白屏？

如果听到开机声音，请更换屏幕或者排线；否则请联系售后人员。

# 第八章 帮助与支持

---

闪铸专业的售后服务人员及业务员随时为您待命，非常乐意为您解决在您使用过程中遇到的任何问题。如果您无法从用户手册中找到答案，您可以进入我们的官方网站来搜索问题的解决方案，或者通过电话联系我们。

在我们的官网中可以找到一些常见问题的说明和解决方法。您的许多问题都可以在闪铸集团中文官方网站[www.sz3dp.com](http://www.sz3dp.com)得到解决。

您可以在周一到周六上午8:00到下午5:00通过电话来联系闪铸售后团队，为您解决问题。如果您在下班时间联系我们，闪铸将在下一个工作日的第一时间给您反馈。若造成不便，我们万分抱歉。

## 提示

由于更换不同的丝料，会有少量杂质残留在喷头中造成喷头堵塞，疏通后即可，不属于质量问题。若用户使用时存在该问题，请联系售后，并在售后的指导下完成疏通工作。

售后服务热线：400-886-6023

邮箱：[support@flashforge.com](mailto:support@flashforge.com)

公司地址：浙江省金华市婺城区仙源路518号

提示：联系售后时，请提供产品序列号，即打印机背部的条形码



S/N: FFAD\*\*\*\*\*







Follow us

**Zhejiang Flashforge 3D Technology Co., Ltd.**

Address: No.518 XianYuan Road, Jinhua City, Zhejiang Province, China

Service Hotline: +86 579 82273989

[support@flashforge.com](mailto:support@flashforge.com)